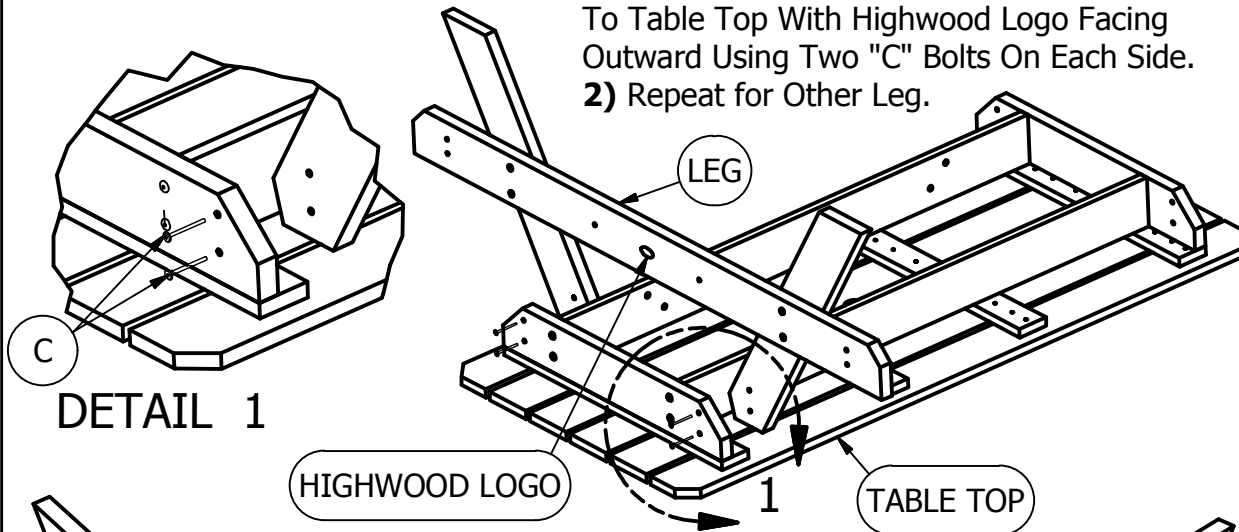


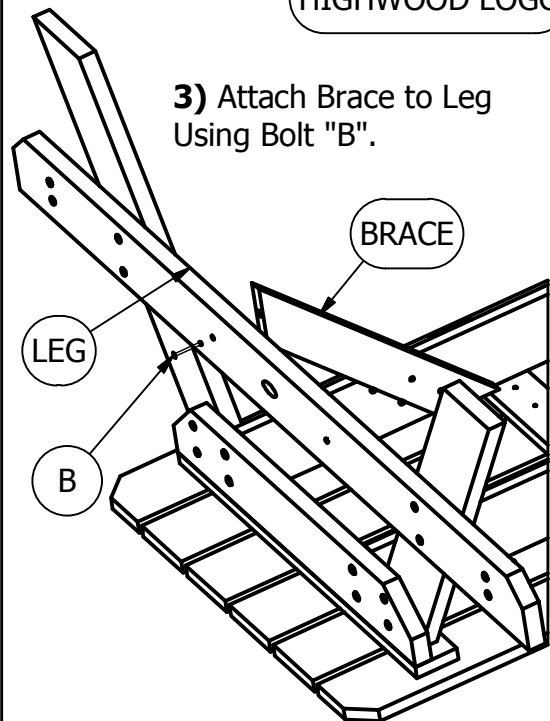
Hometown Picnic Table

Assembly Guide

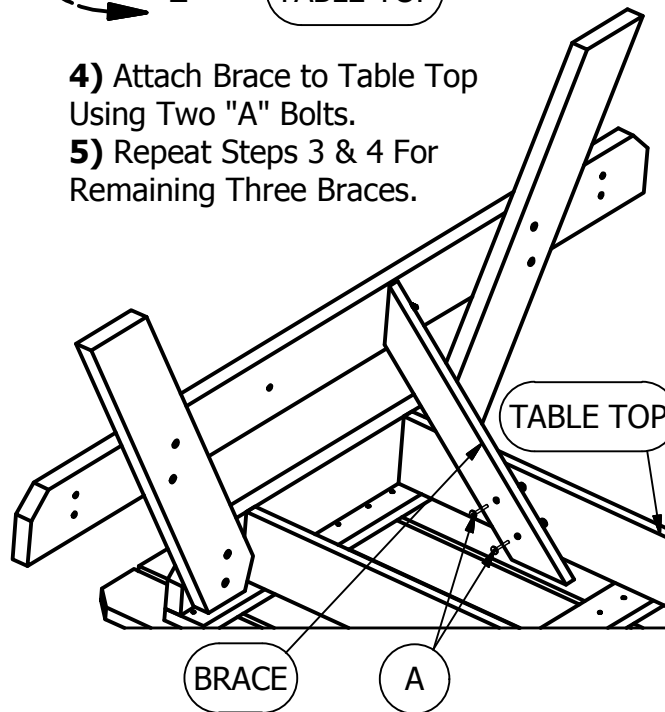
- 1) Orient Table With Top Down. Attach Leg To Table Top With Highwood Logo Facing Outward Using Two "C" Bolts On Each Side.
- 2) Repeat for Other Leg.



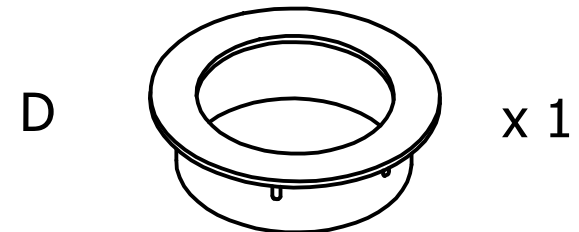
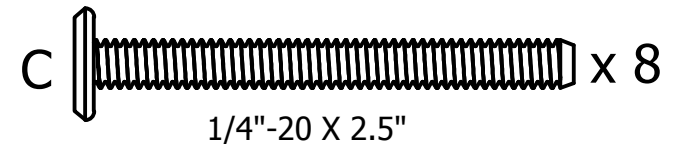
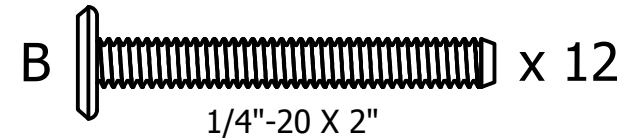
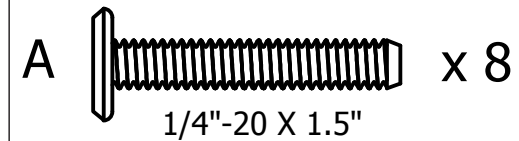
- 3) Attach Brace to Leg Using Bolt "B".



- 4) Attach Brace to Table Top Using Two "A" Bolts.
- 5) Repeat Steps 3 & 4 For Remaining Three Braces.



HARDWARE



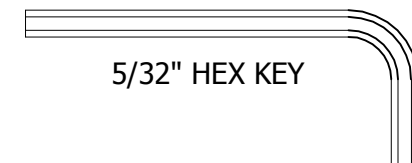
2" UMBRELLA GROMMET

IMPORTANT!

DO NOT fully tighten the bolts until all bolts are started. Once all bolts are inserted, go back & tighten all the bolts.

Retain these instructions for future reference

INCLUDED TOOLS



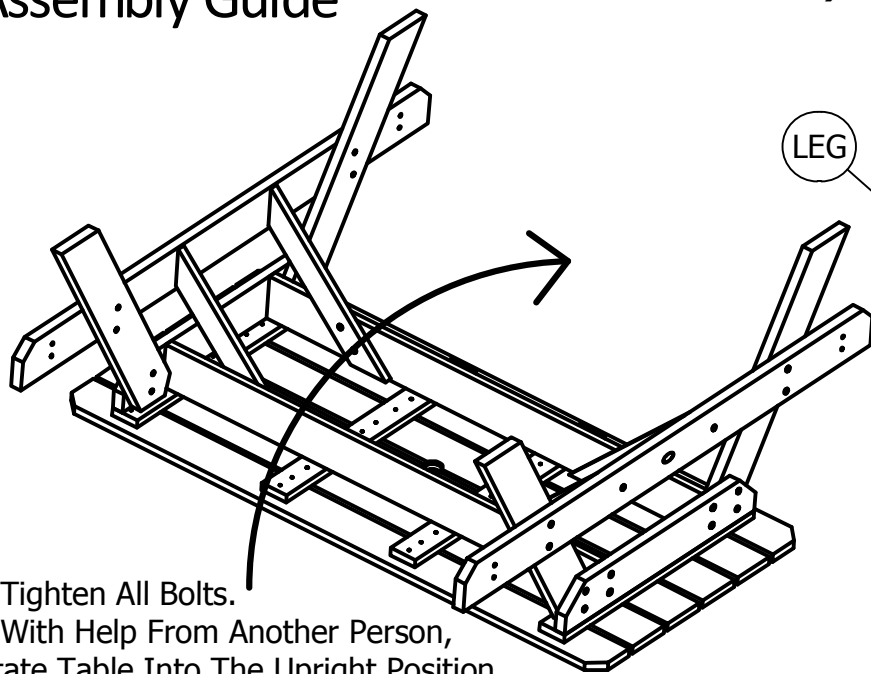
5/32" HEX KEY

Hometown Picnic Table

Assembly Guide

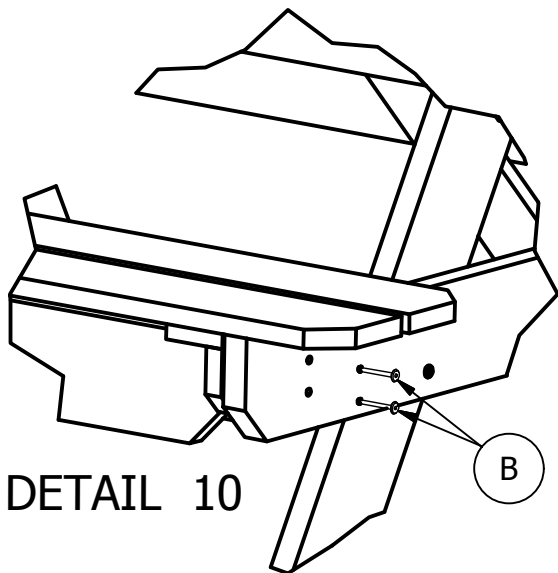
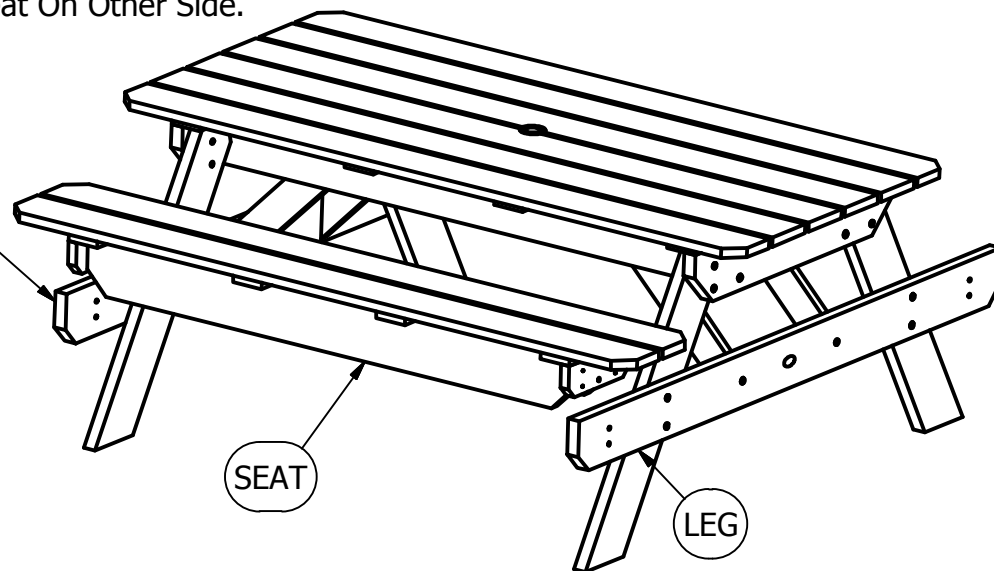
8) With Table In Upright Position as Shown, Set Seat In Between Legs.

9) Repeat On Other Side.



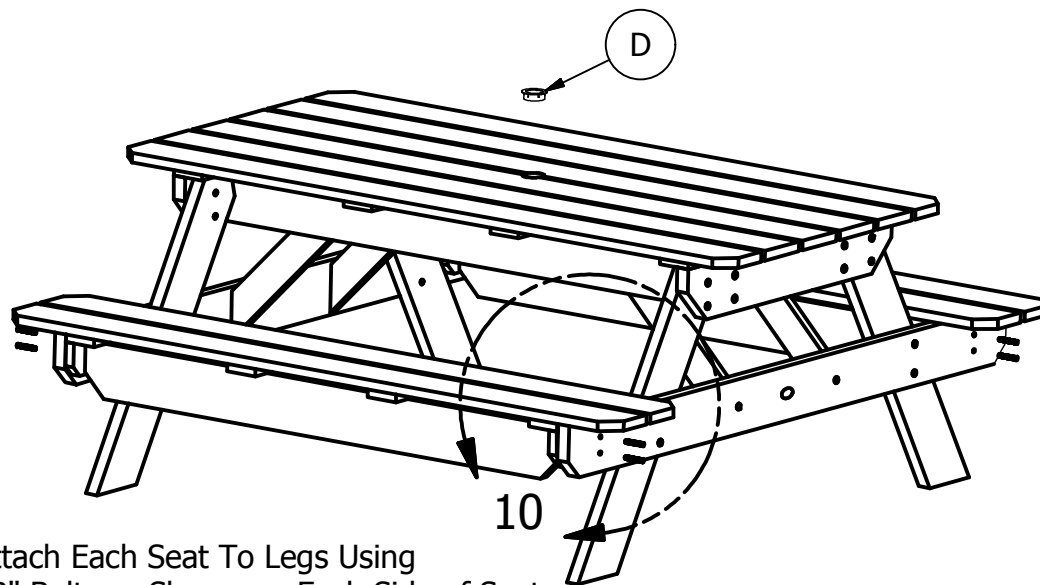
6) Tighten All Bolts.

7) With Help From Another Person, Rotate Table Into The Upright Position.



DETAIL 10

B



10) Attach Each Seat To Legs Using Two "B" Bolts as Shown on Each Side of Seat.

11) Insert Umbrella Grommet "D" into Center Hole.