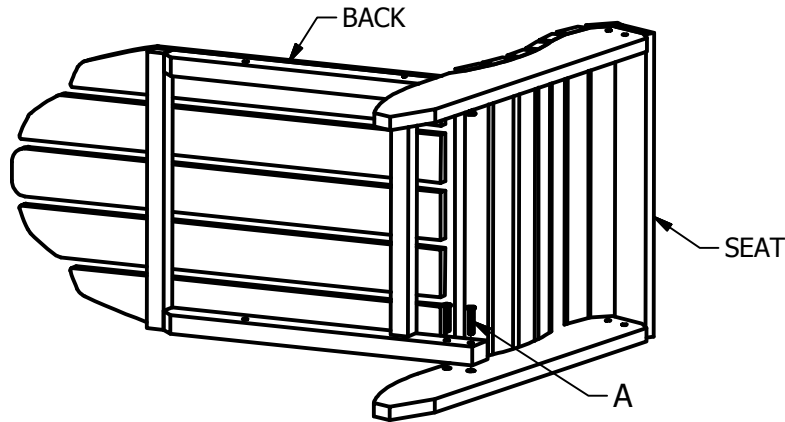
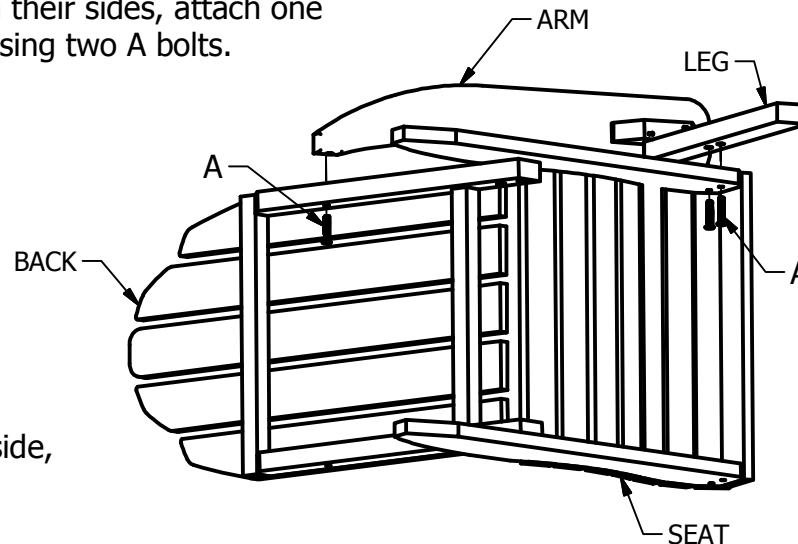


# Mountain Bluff Collection Essential Adirondack Chair

## Assembly Guide



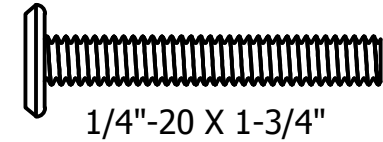
- 1) With the Back and Seat on their sides, attach one side of the Back to the Seat using two A bolts.
- 2) Repeat on other side.



- 3) With the chair still on its side, attach the Back to the Arm using one A bolt.
- 4) Attach the Seat to the Leg using two A bolts.
- 5) Flip chair onto its other side and repeat Steps 3 & 4.

### HARDWARE

A



x10

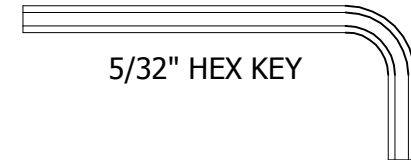
1/4"-20 X 1-3/4"

### IMPORTANT!

DO NOT fully tighten the bolts until all bolts are started. Once all bolts are inserted, go back & tighten all the bolts.

Retain these instructions for future reference

### INCLUDED TOOLS



5/32" HEX KEY



**ELK OUTDOORS**  
by **highwood**<sup>®</sup>

For information on Care and Cleaning or to register your ELK OUTDOORS product by *highwood*<sup>®</sup>, please visit [www.highwood-usa.com](http://www.highwood-usa.com).

EO-CLAS1  
12.04.2017

PAGE 1 OF 1