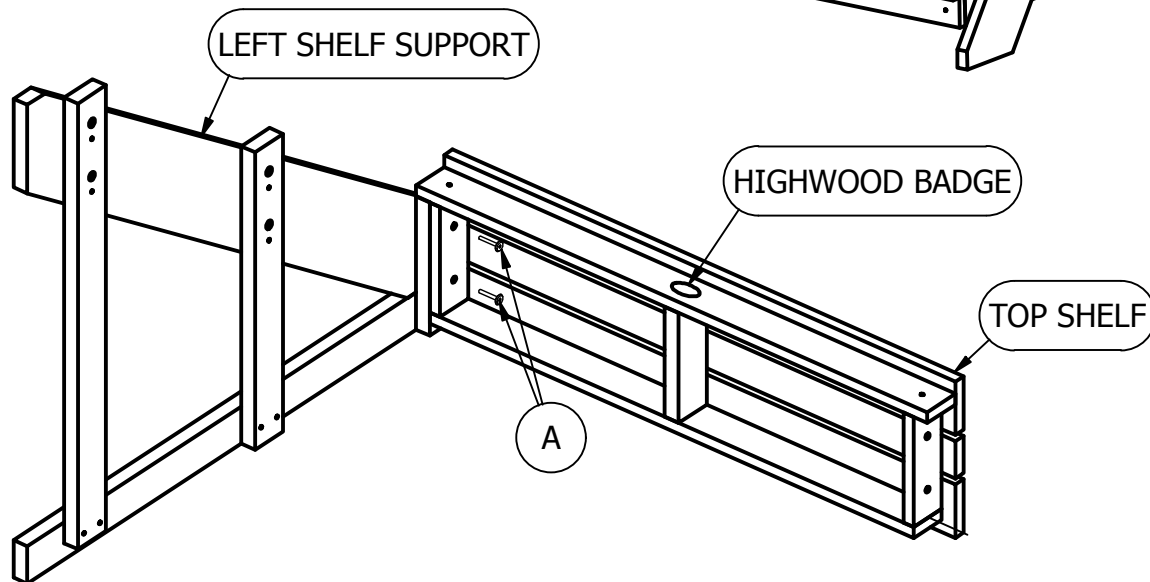
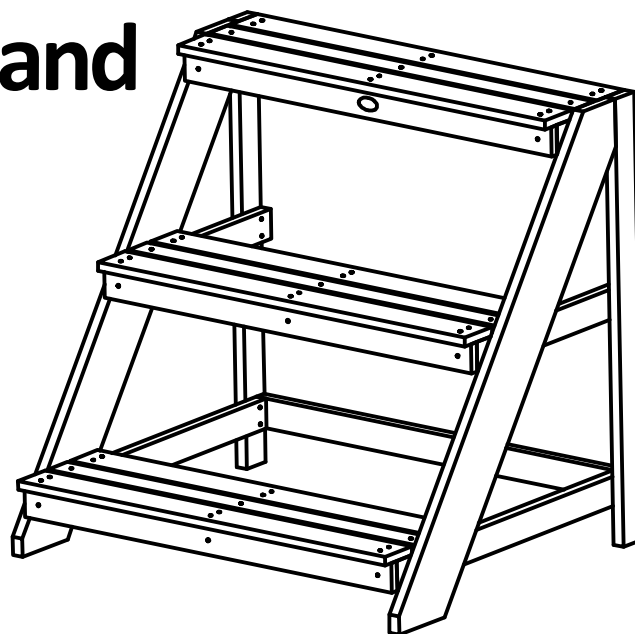


# The Lawn & Garden Collection

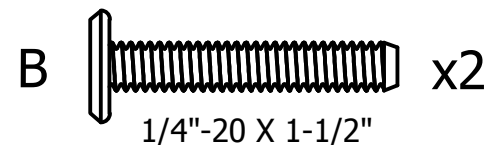
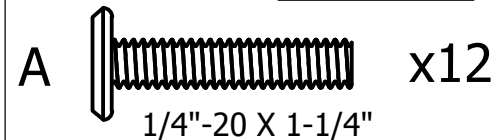
# Ladder Plant Stand

## Assembly Guide



- 1) Place Left Shelf Support on Flat Surface as Shown. Slide Top Shelf (With Elk Outdoor Badge) Over Top Support and Attach Using Two "A" Bolts.
- 2) Repeat Step 1 On Other Side Attaching Shelf to Right Shelf Support.

### HARDWARE

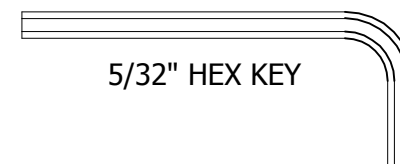


### IMPORTANT!

DO NOT fully tighten the bolts until all bolts are started. Once all bolts are inserted, go back & tighten all the bolts.

Retain these instructions for future reference

### INCLUDED TOOLS

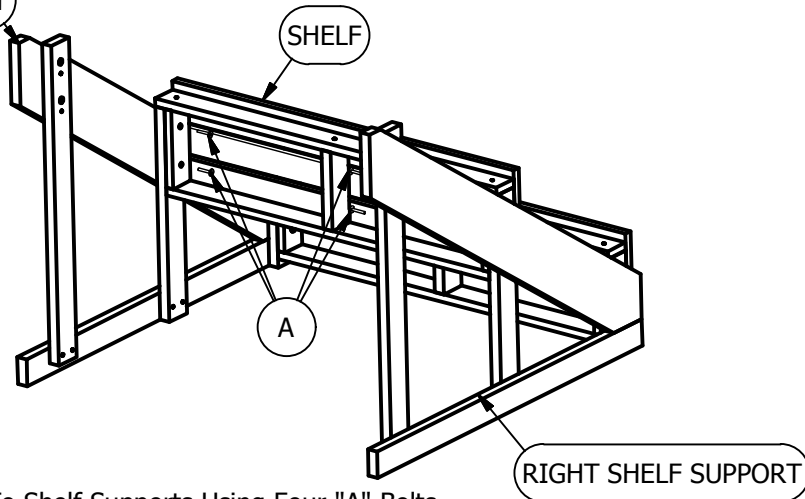


# The Lawn & GardenCollection

# Ladder Plant Stand

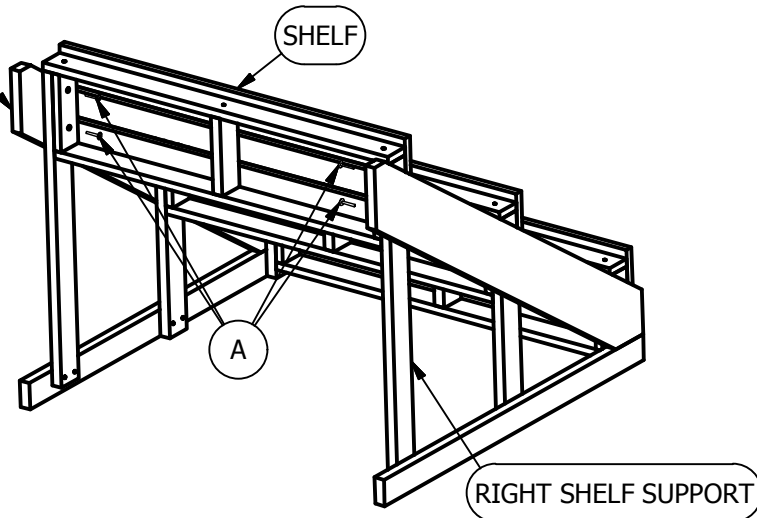
## Assembly Guide

LEFT SHELF SUPPORT

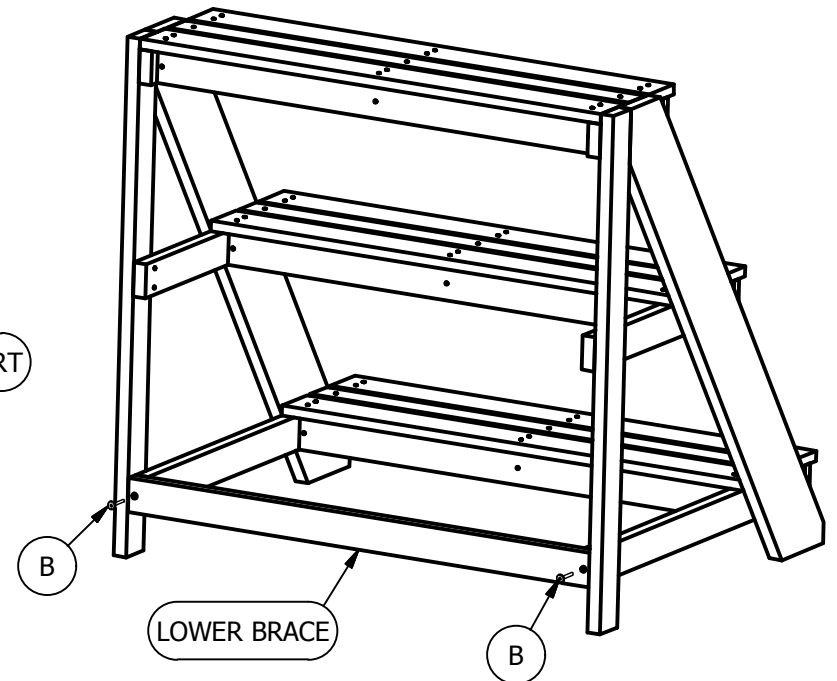


**3)** Attach Middle Shelf To Shelf Supports Using Four "A" Bolts.

LEFT SHELF SUPPORT



**4)** Attach Bottom Shelf To Shelf Supports Using Four "A" Bolts.



**5)** Tighten All Bolts.

**6)** Rotate Plant Stand Into Upright Position.

**7)** Attach Lower Brace to Assembly Using Two "B" Bolts.