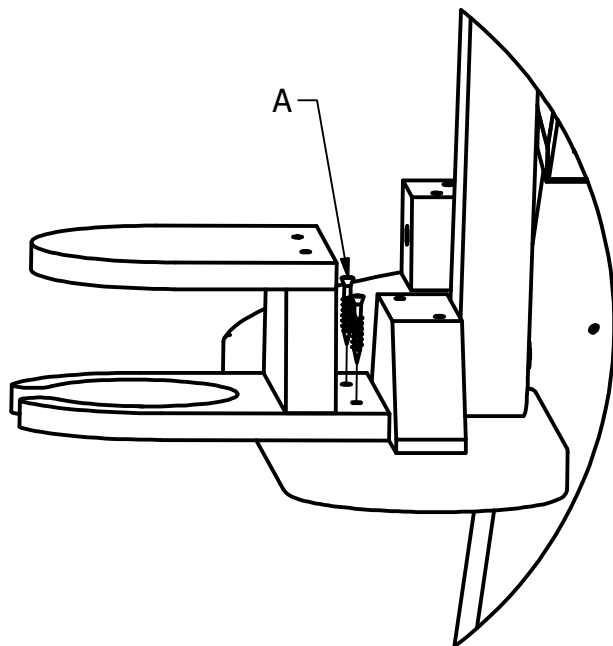
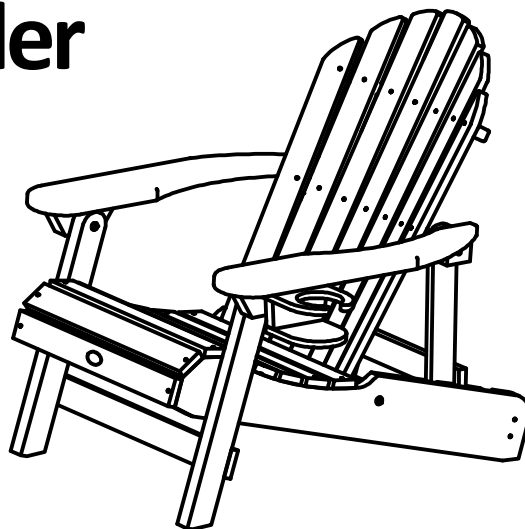


## Adirondack Collection

# Easy-add Cup Holder


## Assembly Guide



**1)** With chair turned over, attach Cup Holder to arm with two A screws.

(Cup Holder can be installed on either arm)

### HARDWARE

A  x2  
#7 x 1-1/4"

### **IMPORTANT!**

DO NOT fully tighten the bolts until all bolts are started. Once all bolts are inserted, go back & tighten all the bolts.

Retain these instructions for future reference

### INCLUDED TOOLS



T-15 TORX BIT

### CUSTOMER-SUPPLIED TOOLS

Cordless screwdriver/drill OR  
Multi-bit handle for the Torx bit.