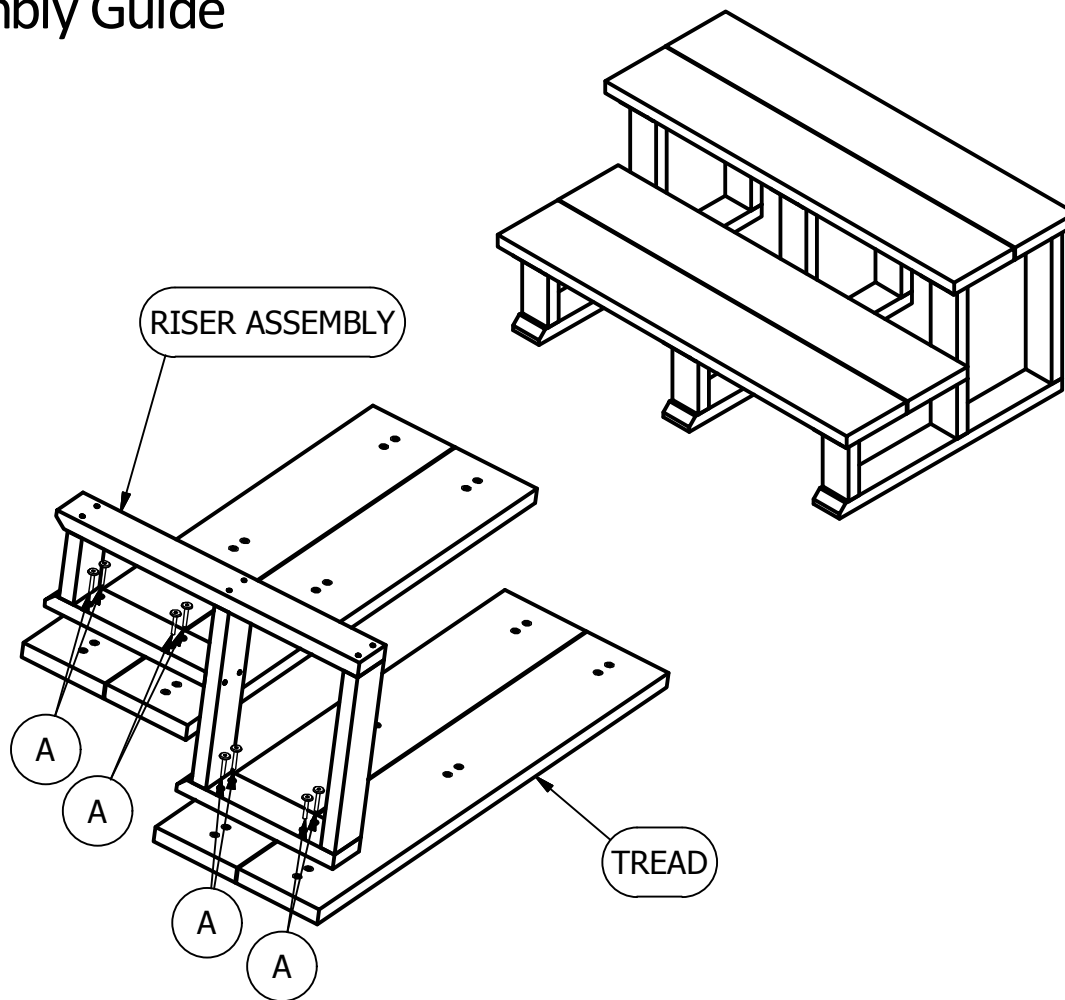


The Spa Collection

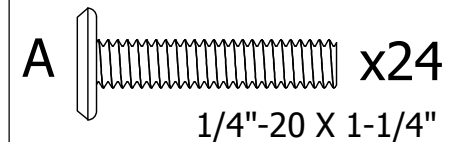
2-Step 32" Hot Tub Spa Step

Assembly Guide



- 1) Place (4) Treads on Flat Surface with inserts facing up as shown.
- 2) Attach Riser Assembly to Treads using (8) "A" bolts as shown.
- 3) Repeat Step 2 with (2) remaining Riser Assemblies.

HARDWARE



IMPORTANT!

DO NOT fully tighten the bolts until all bolts are started. Once all bolts are inserted, go back & tighten all the bolts.

Retain these instructions for future reference

INCLUDED TOOLS

