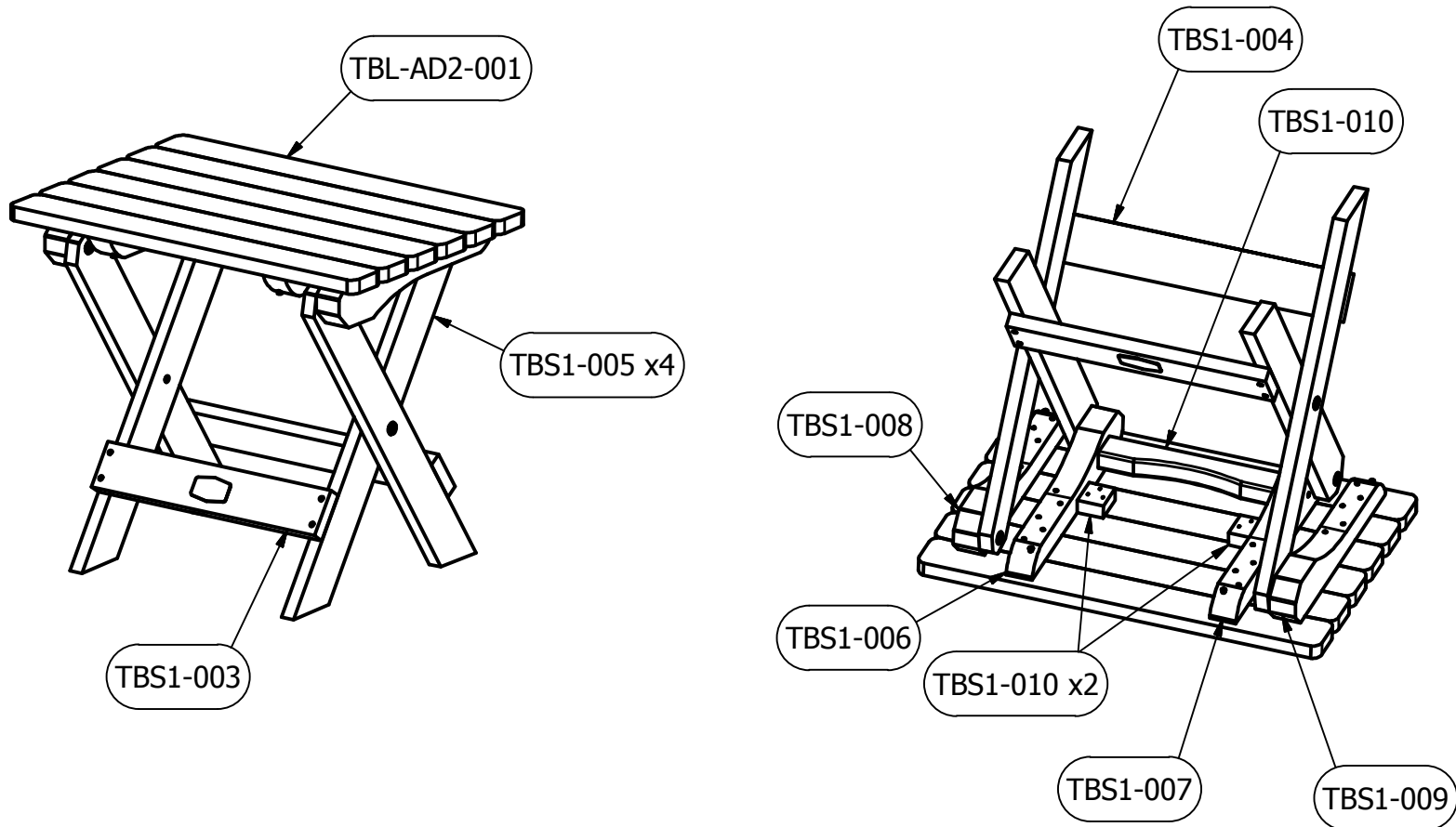
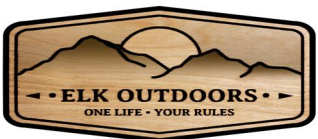


# THE ESSENTIAL FOLDING SIDE TABLE PART GUIDE



EO-TBS1  
09.18.18



For information on Care and Cleaning or to register your product, please visit [www.highwood-usa.com](http://www.highwood-usa.com).