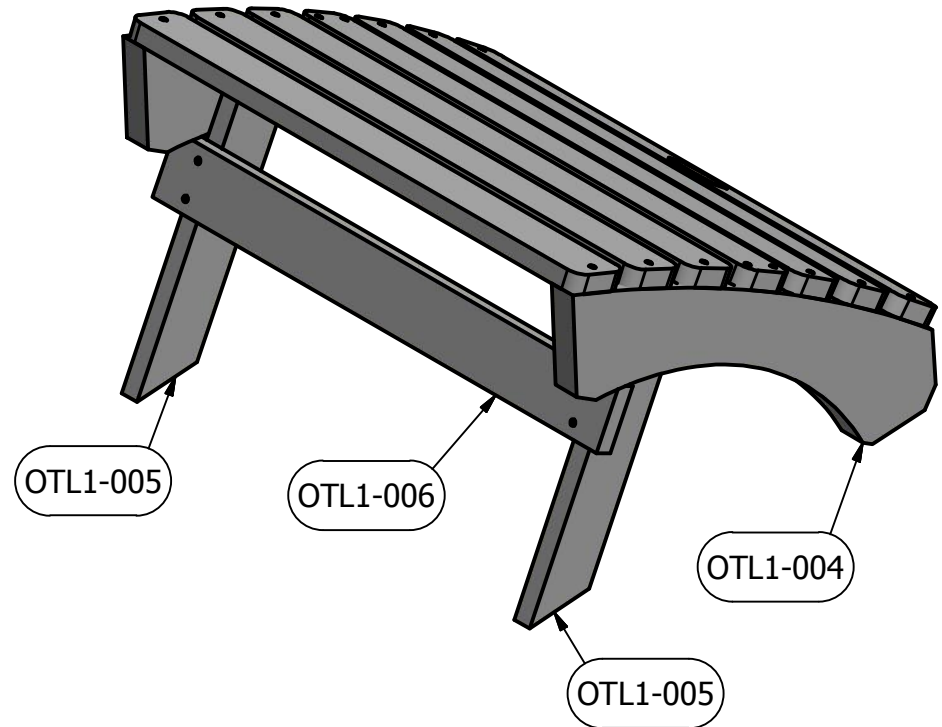
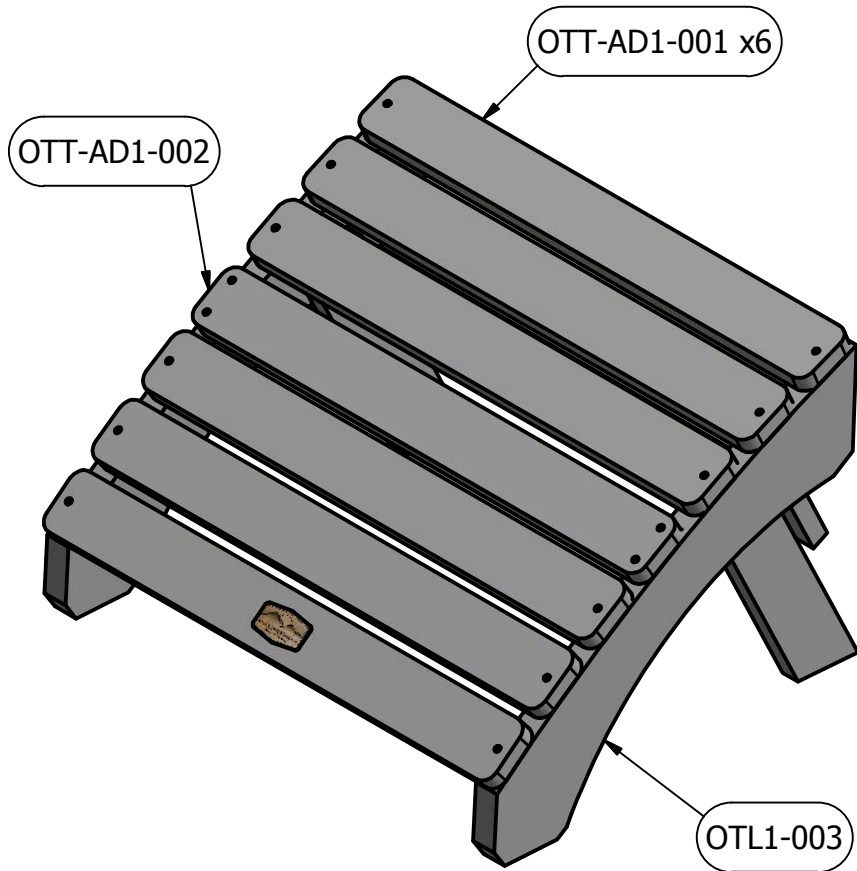
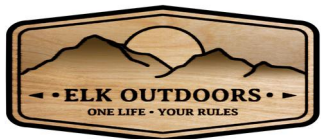


THE ESSENTIAL FOLDING OTTOMAN PART GUIDE



EO-OTL1
09.18.18



For information on Care and Cleaning or to register your product, please visit www.highwood-usa.com.