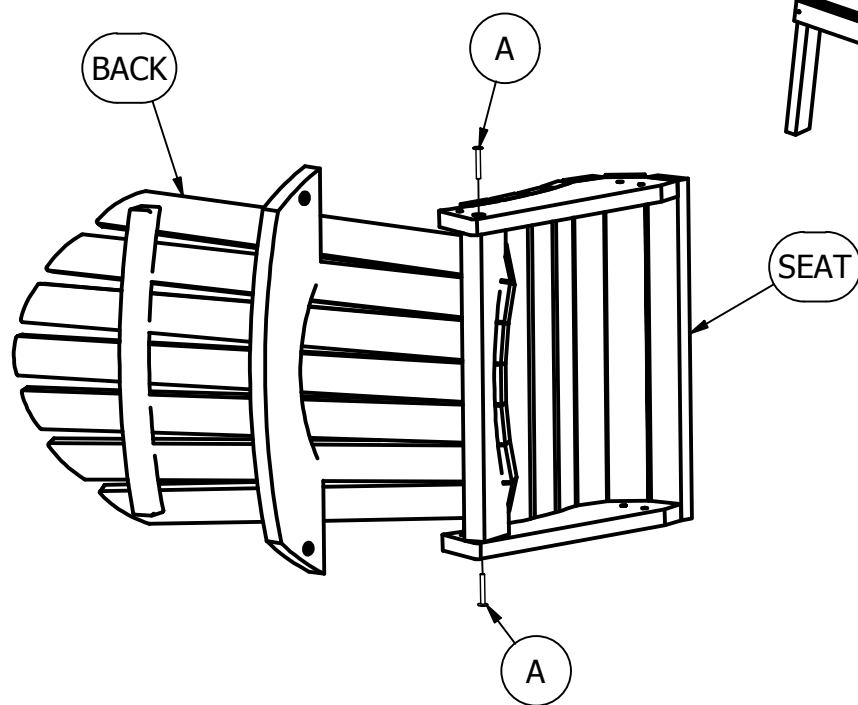


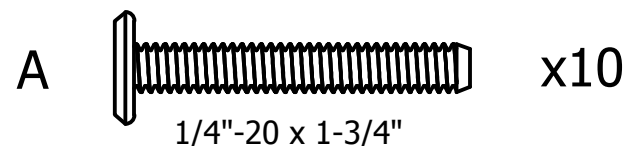
Sequoia Professional Dining Height Muskoka Chair

Assembly Guide



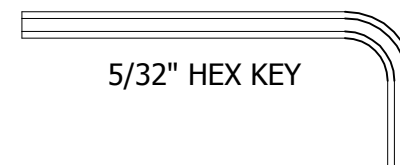
- 1)** Insert (1) "A" Bolt into Lower Hole on Each Side to Attach Seat to Back. Make Sure the Back is Fully Upright. Make Bolts Snug, but Do Not Overtighten.

HARDWARE



IMPORTANT!
DO NOT fully tighten the bolts until all bolts are started. Once all bolts are inserted, go back & tighten all the bolts.
Retain these instructions for future reference

INCLUDED TOOLS



SEQUOIA
PROFESSIONAL
by highwood®

For information on Care and Cleaning or to register your SEQUOIA PROFESSIONAL product by highwood®, please visit www.highwood-usa.com.

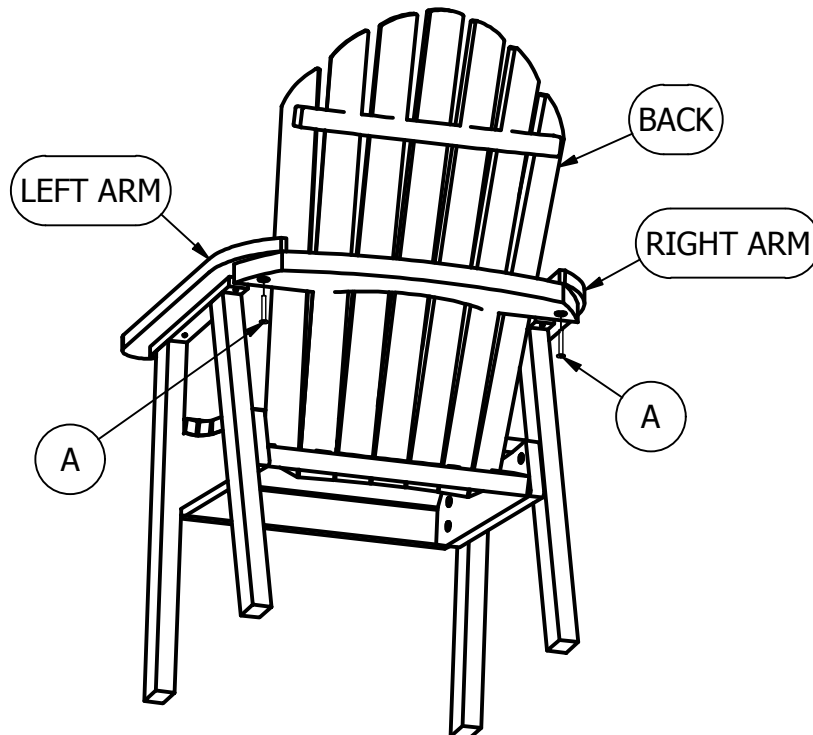
CM-CHRSQD2
03.05.19

PAGE 1 OF 2

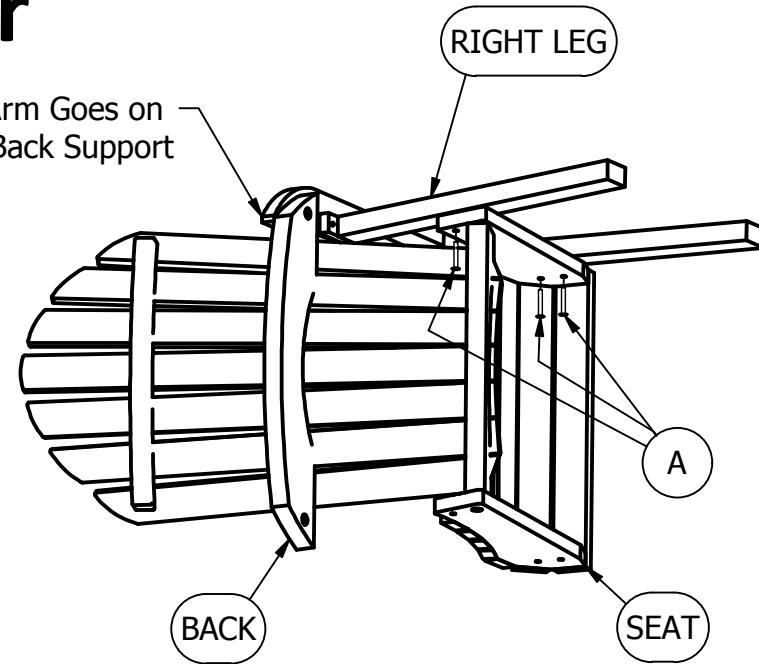
Sequoia Professional Dining Height Muskoka Chair

Assembly Guide

- 2) With the Chair Laying on its Left Side, Attach the Right Leg to the Seat using (3) "A" bolts.
- 3) Flip Chair and Lay on Right Side. Repeat for Left Leg.



Note: Arm Goes on Top of Back Support



- 4) Attach Arms to the Back Using (2) "A" Bolts.
- 5) Tighten all Bolts.



SEQUOIA
PROFESSIONAL
by **highwood**[®]

For information on Care and Cleaning or to register your SEQUOIA PROFESSIONAL product by *highwood*[®], please visit www.highwood-usa.com.

CM-CHRSQD2
03.05.19

PAGE 2 OF 2