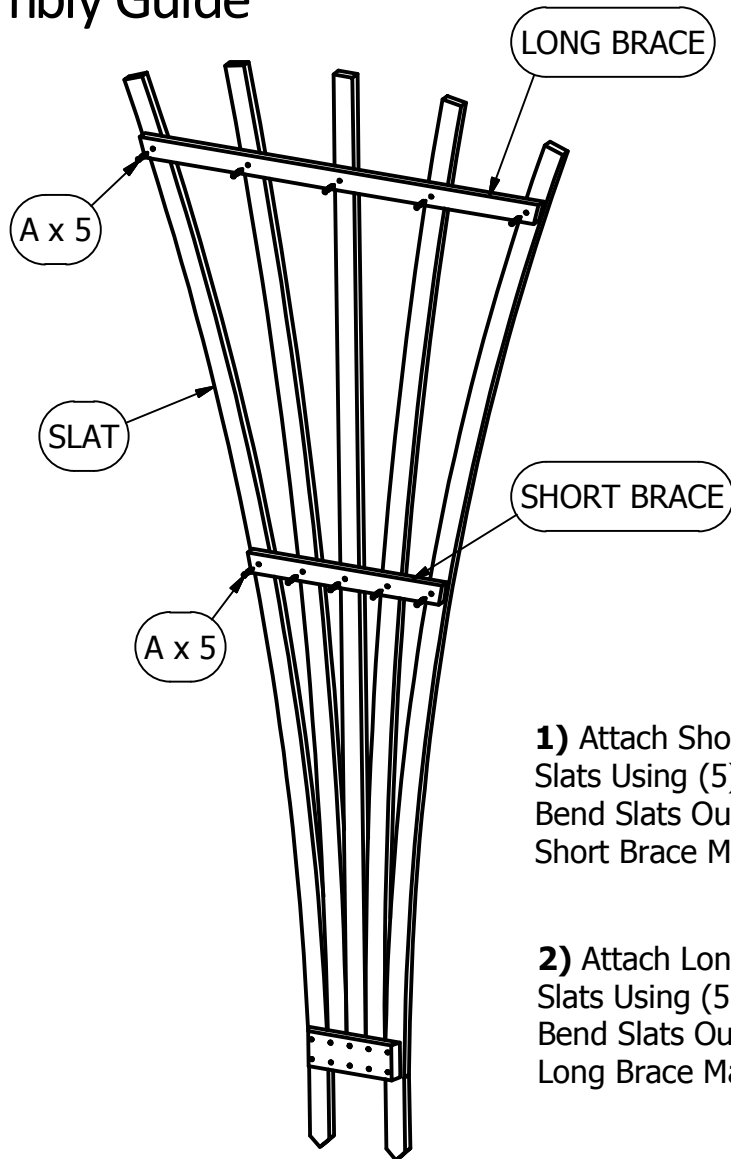


LAWN & GARDEN COLLECTION

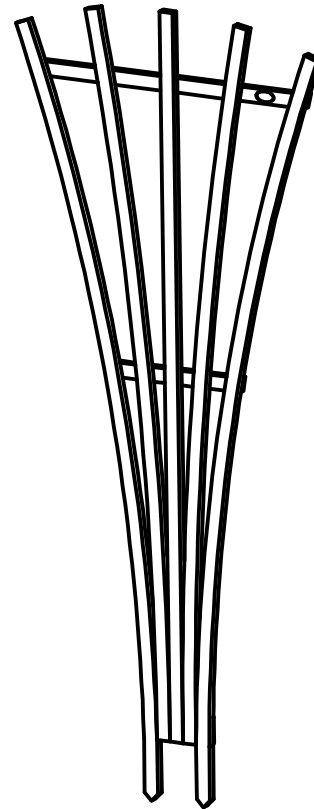
Hartford Fan Trellis

Assembly Guide




1) Attach Short Brace to Trellis Slats Using (5) "A" Screws. Bend Slats Outward so that Holes in Short Brace Match Pilot Holes in Slats.

2) Attach Long Brace to Trellis Slats Using (5) "A" Screws. Bend Slats Outward so Holes in Long Brace Match Pilot Holes in Slats.



HARDWARE

A  X 10
#7 X 1-1/4"

IMPORTANT!

DO NOT fully tighten the bolts until all bolts are started. Once all bolts are inserted, go back & tighten all the bolts.

Retain these instructions for future reference

INCLUDED TOOLS



T-15 TORX BIT

CUSTOMER-SUPPLIED TOOLS

Cordless screwdriver/drill OR
Multi-bit handle for the Torx bit.