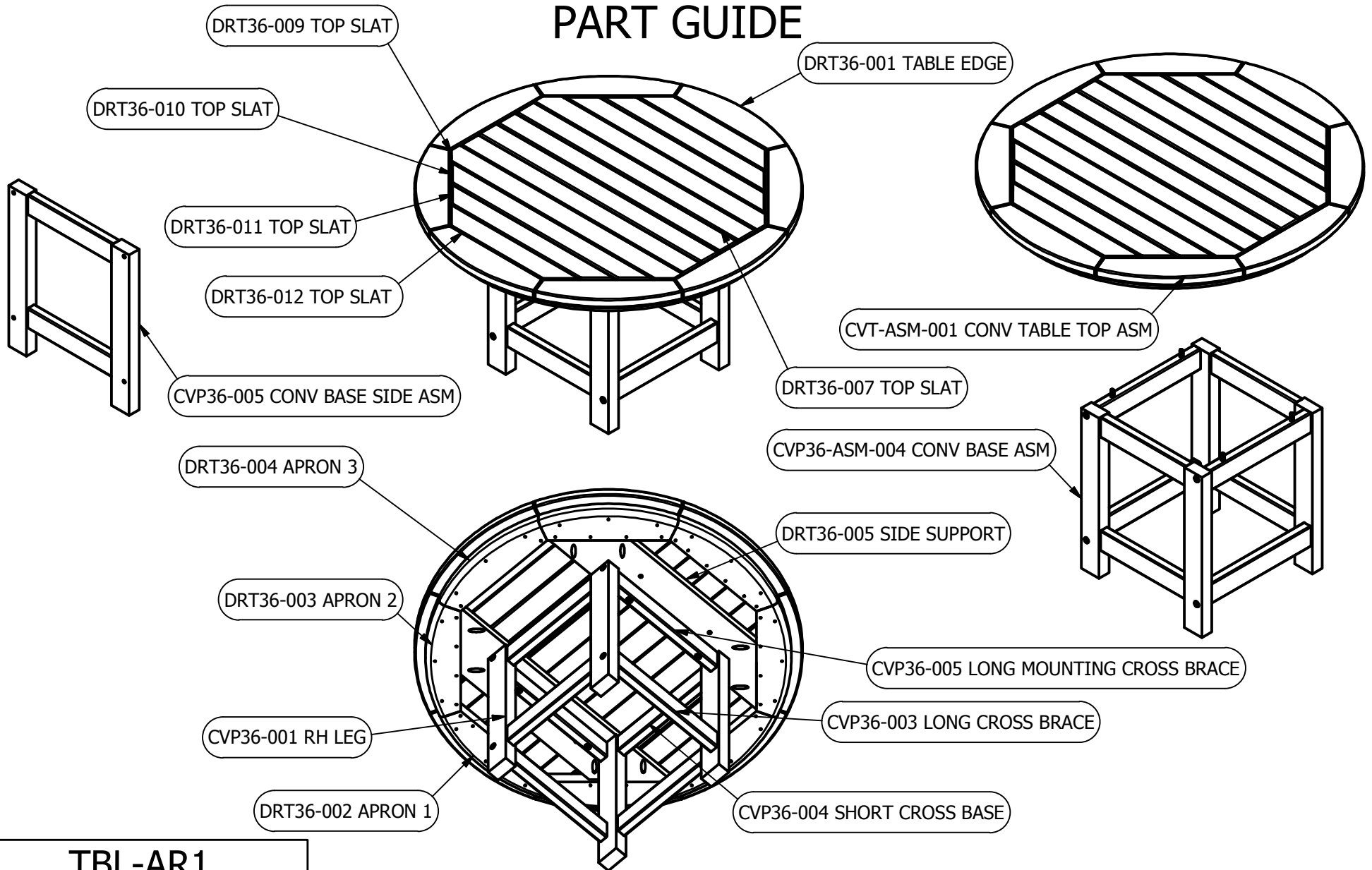


# 36" CONVERSATION TABLE PART GUIDE



TBL-AR1  
05.15.18

**highwood**<sup>®</sup>  
NATURE'S CLOSEST RIVAL

For information on Care and Cleaning or to register your *highwood*<sup>®</sup> product, please visit [www.highwood-usa.com](http://www.highwood-usa.com).