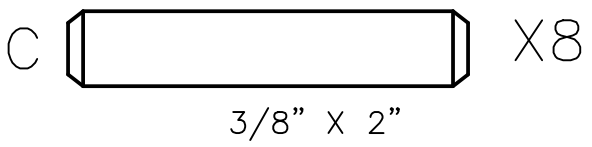
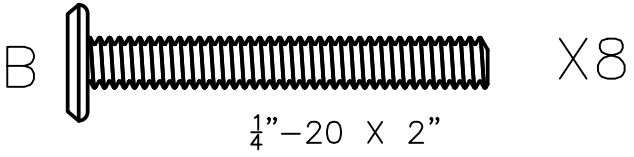
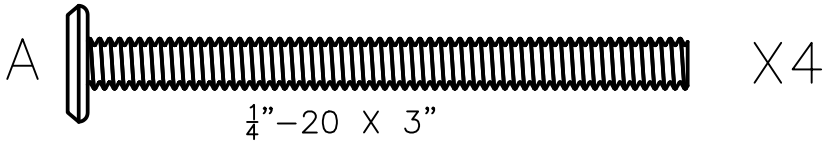


DO NOT fully tighten the bolts until all bolts are started. Once all bolts are inserted, then go back and tighten all the bolts.

CONVERSATION TABLE ASSEMBLY INSTRUCTIONS

HARDWARE



INCLUDED TOOLS

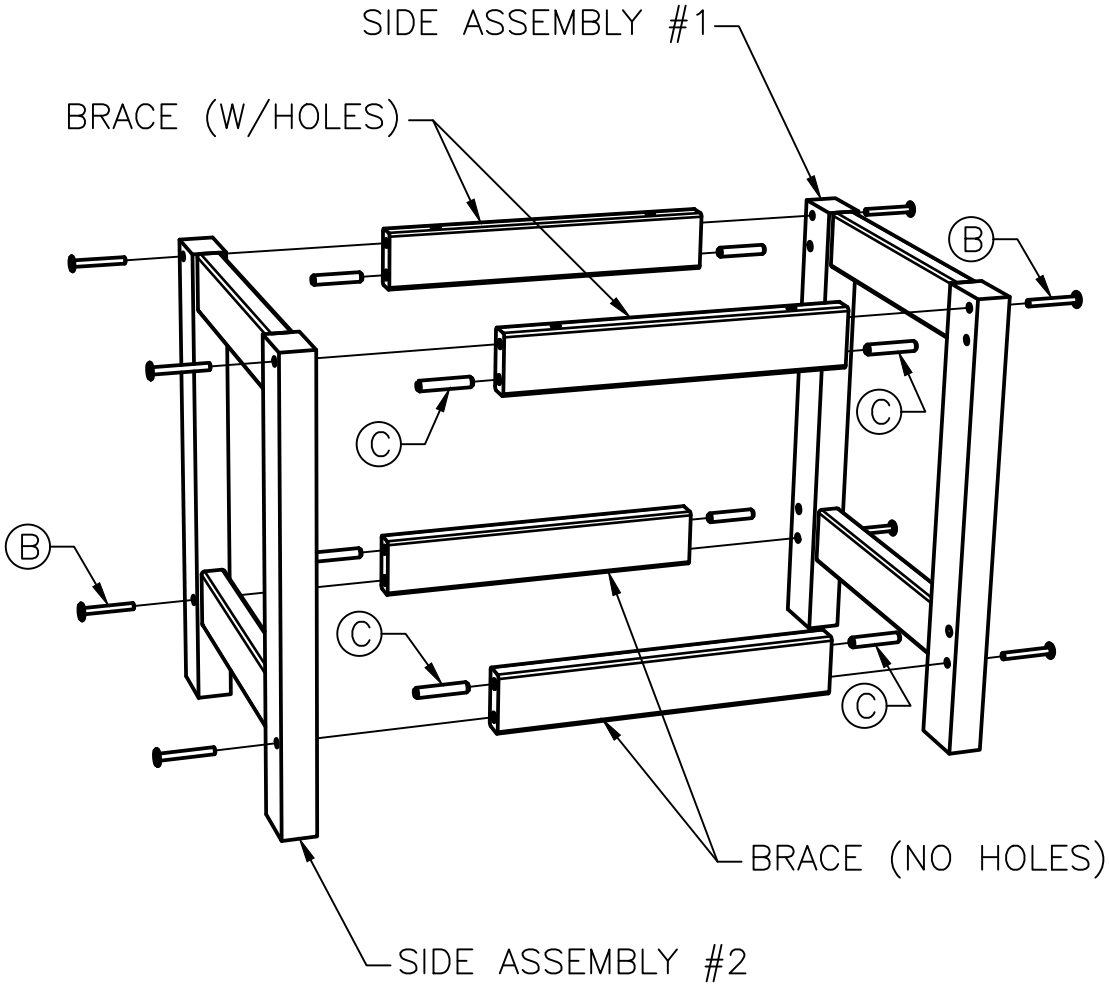


5/32" HEX KEY

NOTE: DO NOT tighten bolts until Table is fully assembled.

NOTE: Side assemblies #1 and #2 are identical.

- 1) Insert 4 dowel pins in 2 Braces (w/holes)
- 2) Insert 4 dowel pins in 2 Braces (no holes)
- 3) Insert 2 doweled Braces (w/holes) in top of Side Assembly #1
- 4) Insert 2 doweled Braces (no holes) in bottom of Side Assembly #1
- 5) Attach 4 Braces to Side Assembly #1 with 4 B bolts.
- 6) Insert 4 doweled Braces (w/holes & no holes) into Side Assembly #2
- 7) Attach 4 Braces to Side Assembly #2 with 4 B bolts.



DO NOT fully tighten the bolts until all bolts are started. Once all bolts are inserted, then go back and tighten all the bolts.

CONVERSATION TABLE ASSEMBLY INSTRUCTIONS

- 1) Attach Base Assembly to table top with 4 A bolts.
- 2) Tighten all 8 B bolts.
- 3) Tighten all 4 A bolts.

