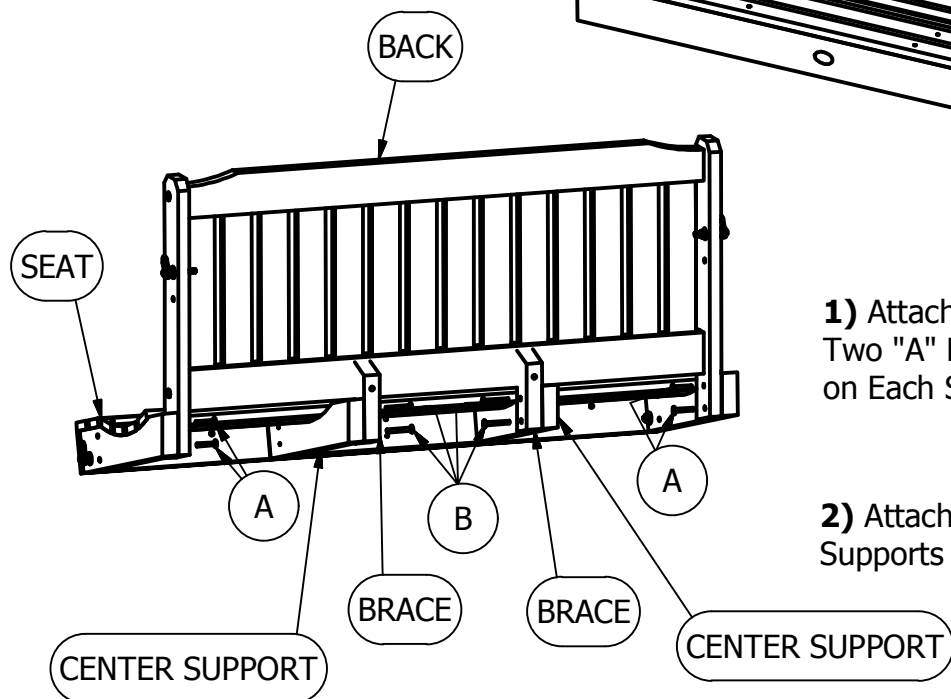
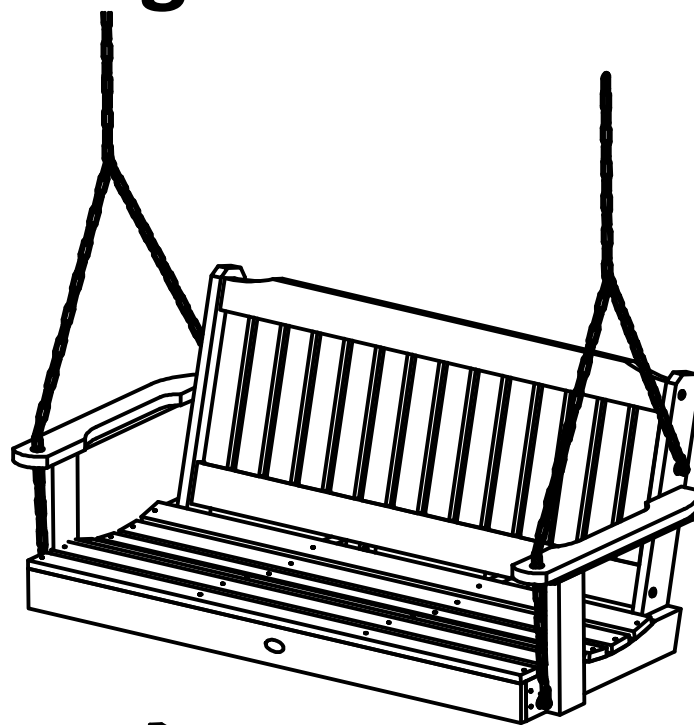


# Lehigh Porch Swing

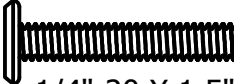
## Assembly Guide





**1)** Attach Back to Seat Using Two "A" Bolts in the Holes on Each Side.

**2)** Attach Braces to Center Supports with Four "B" Bolts.

### HARDWARE

A  x6  
1/4"-20 X 1.5"

B  x8  
1/4"-20 X 2"

C  x2  
1/4"-20 X 3"

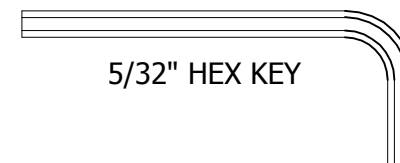
D  x2

### IMPORTANT!

DO NOT fully tighten the bolts until all bolts are started. Once all bolts are inserted, go back & tighten all the bolts.

Retain these instructions for future reference

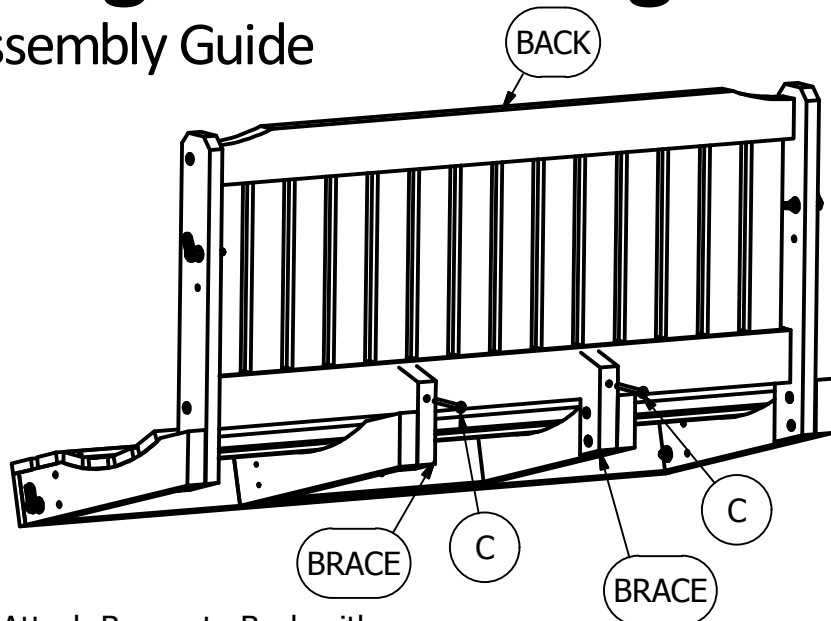
### INCLUDED TOOLS



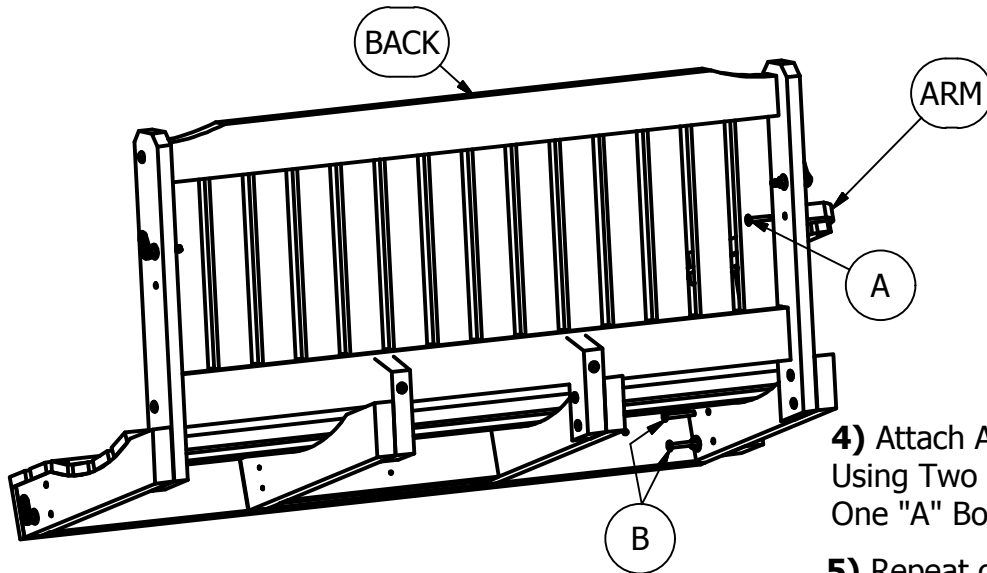
5/32" HEX KEY

# Lehigh Porch Swing

## Assembly Guide

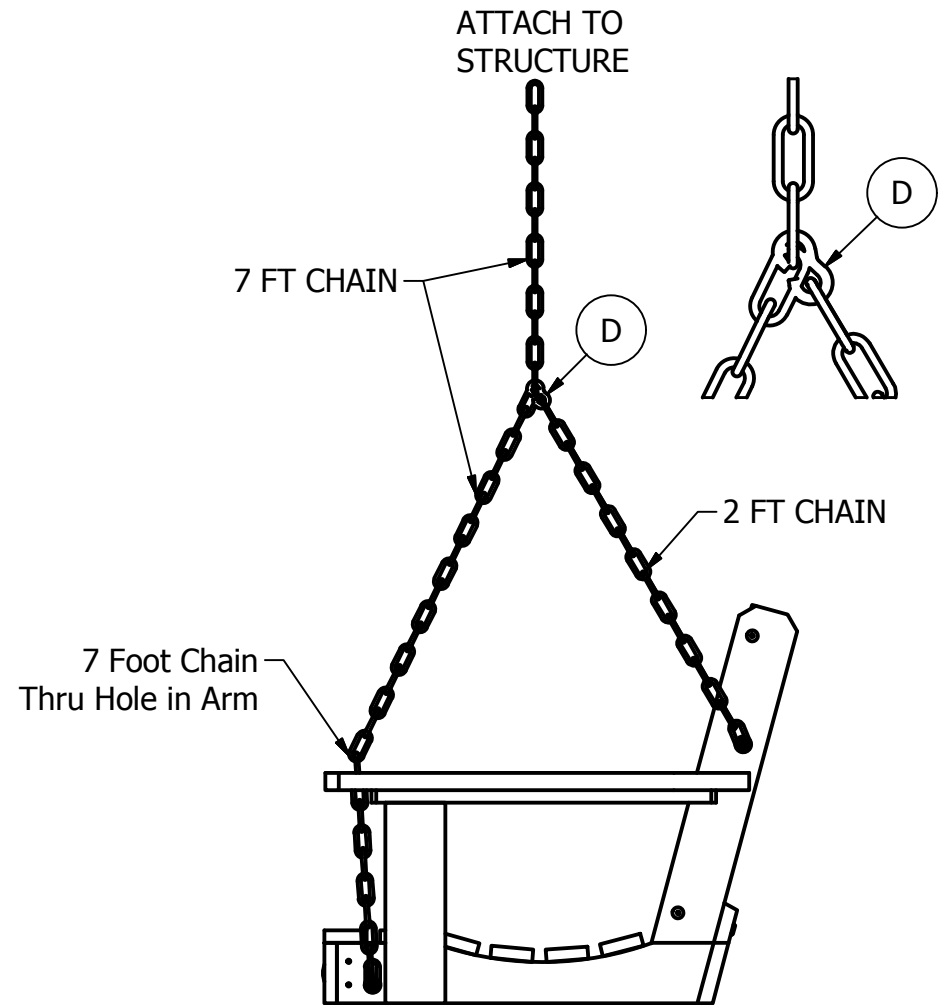


**3)** Attach Braces to Back with Two "C" Bolts.



**4)** Attach Arm Assembly to Seat Using Two "B" Bolts in Front and One "A" Bolt in Arm.

**5)** Repeat on Other Side.



**6)** Attach Chain Connector "D" to End of 2 Foot Chain.

**7)** Guide 7 Foot Chain Thru Hole in Arm and Attach Other End of Chain Connector "D" to 7 Foot Chain so that Arm is Level as Shown.

**8)** Repeat on Other Side.

**9)** Attach Ends of 7 Foot Chain to Structure.