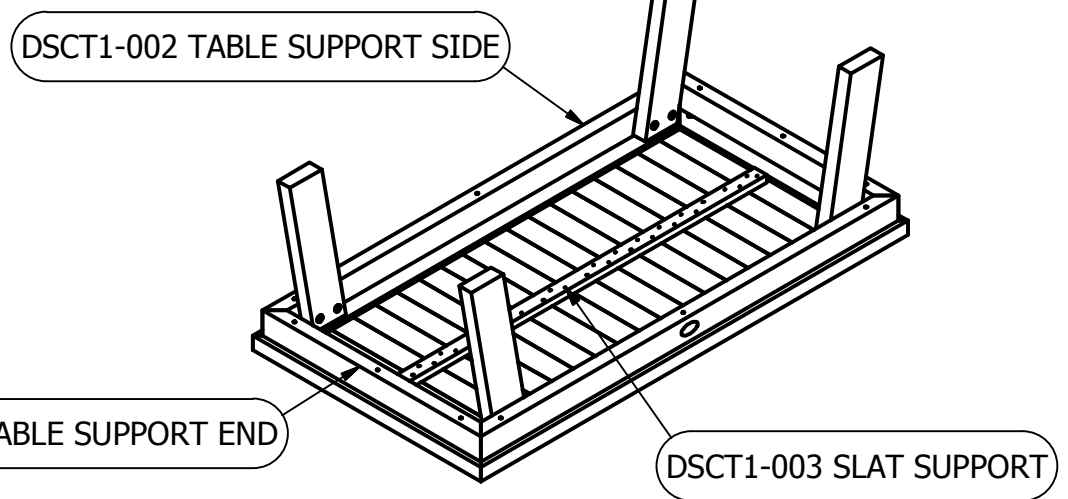
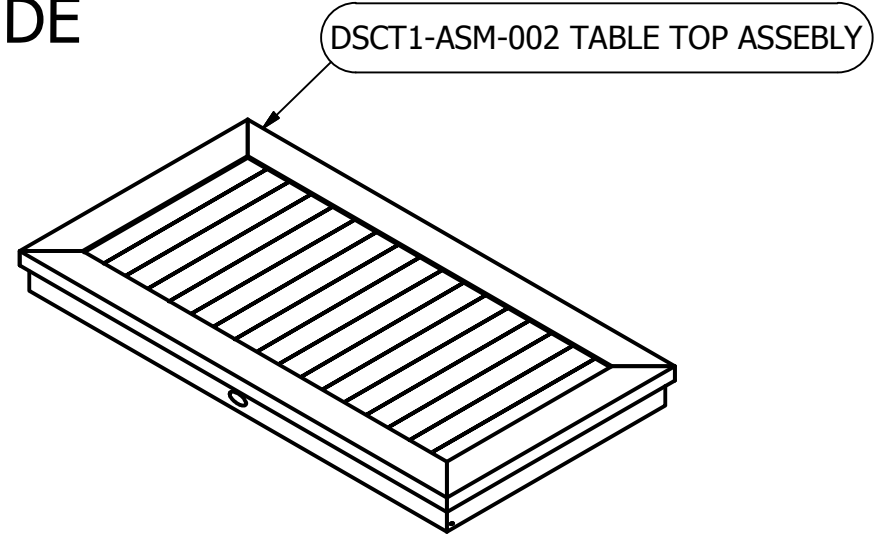
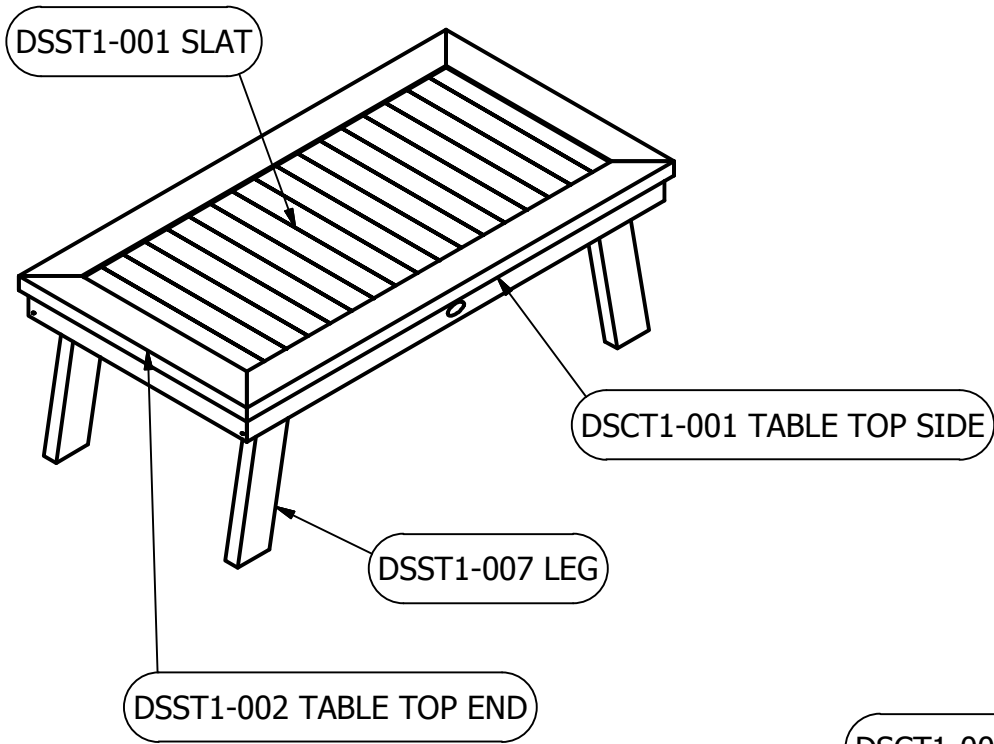


# ADIRONDACK DEEP SEATING CONVERSATION TABLE PART GUIDE



DSCT1  
10.16.17  
**highwood**<sup>®</sup>  
NATURE'S CLOSEST RIVAL

For information on Care and Cleaning or to register your *highwood*<sup>®</sup> product, please visit [www.highwood-usa.com](http://www.highwood-usa.com).