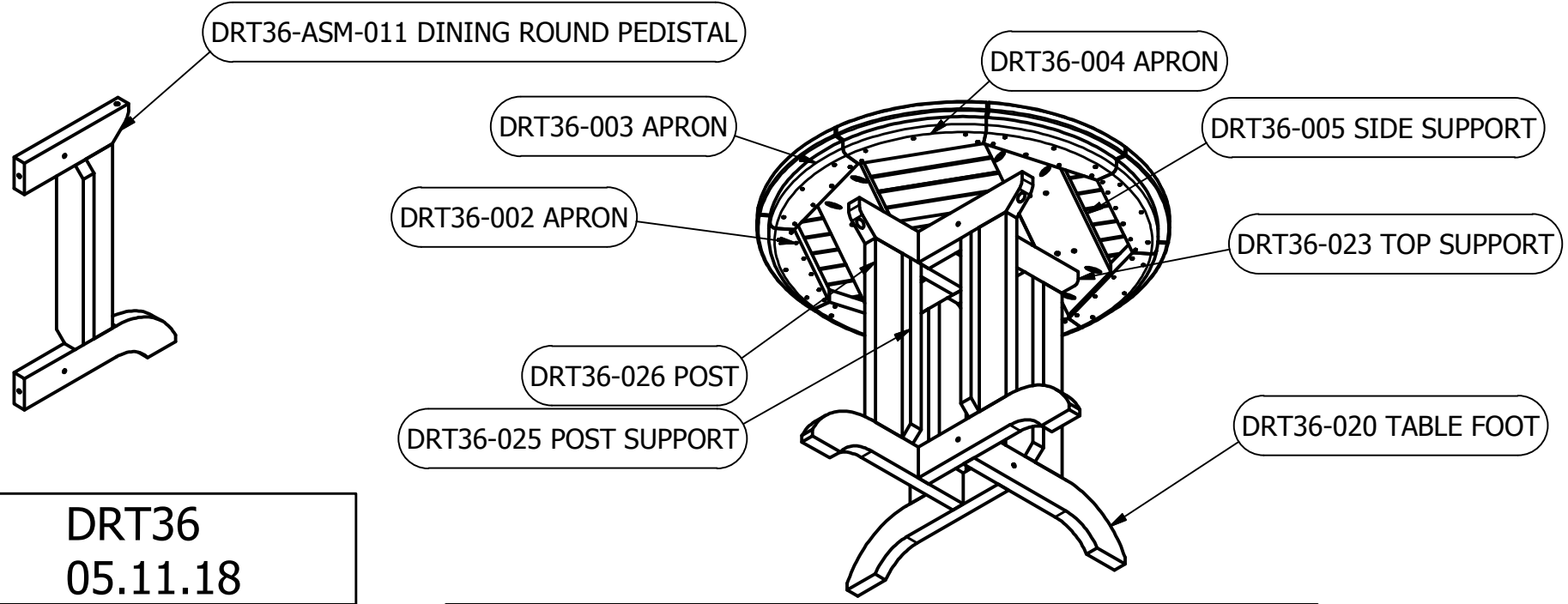
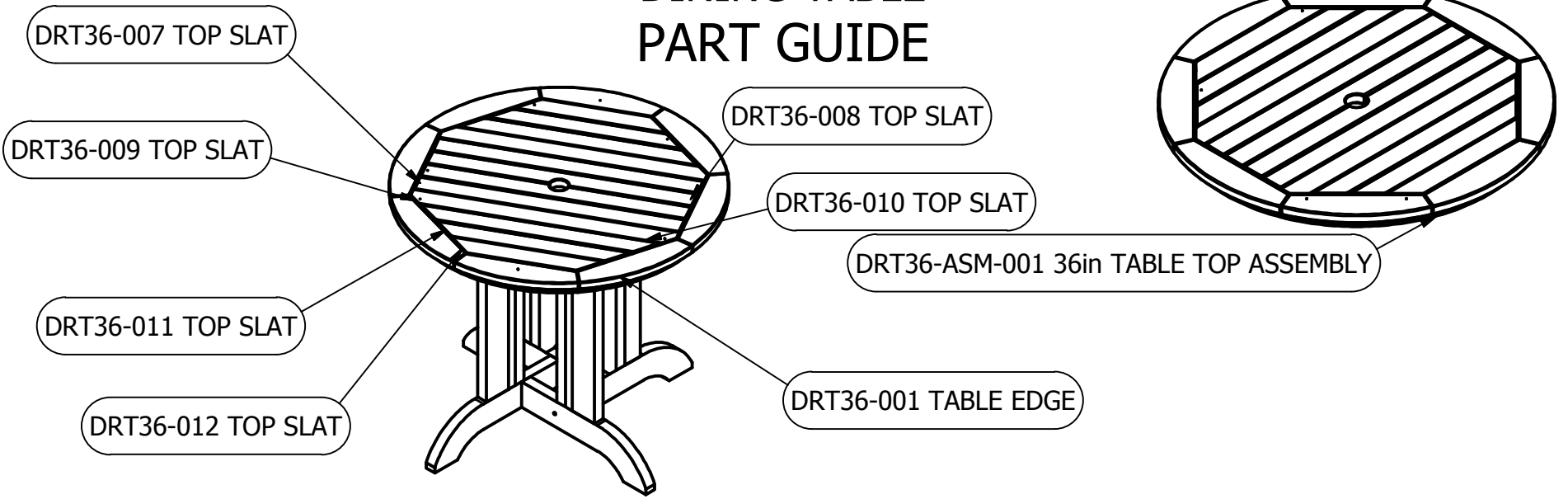


DINING TABLE PART GUIDE



DRT36
05.11.18



For information on Care and Cleaning or to register your *highwood*[®] product, please visit www.highwood-usa.com.