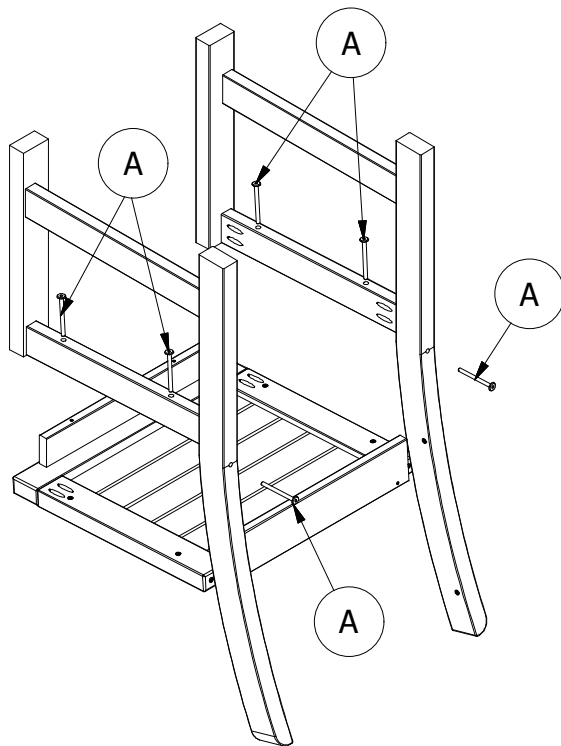
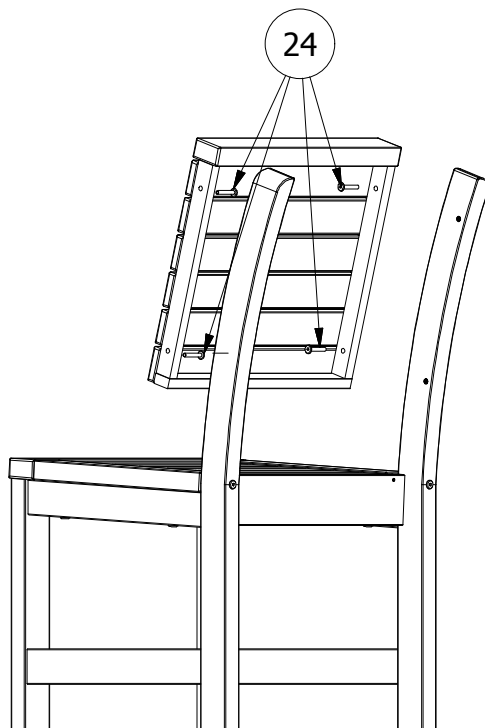


Weatherly Collection Dining Chair

Assembly Guide

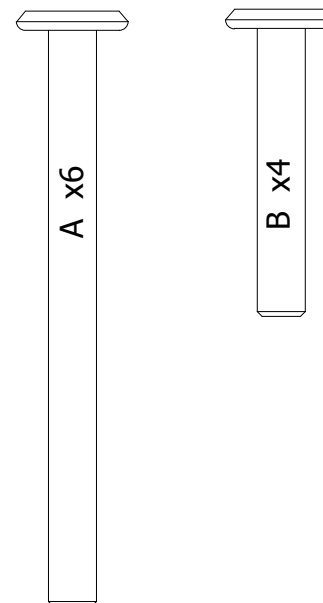


1) Attach left & right side assemblies to seat using (6) A bolts



2) Attach back panel to inside of rear legs with (4) B bolts

HARDWARE



IMPORTANT!

DO NOT fully tighten the bolts until all bolts are started. Once all bolts are inserted, go back & tighten all the bolts.

Retain these instructions for future reference

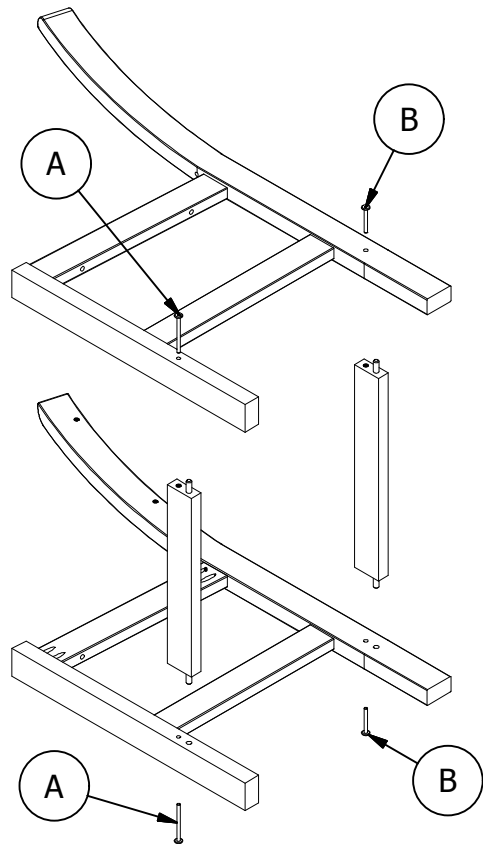
INCLUDED TOOLS



HEX KEY

Weatherly Collection Counter Height Chair

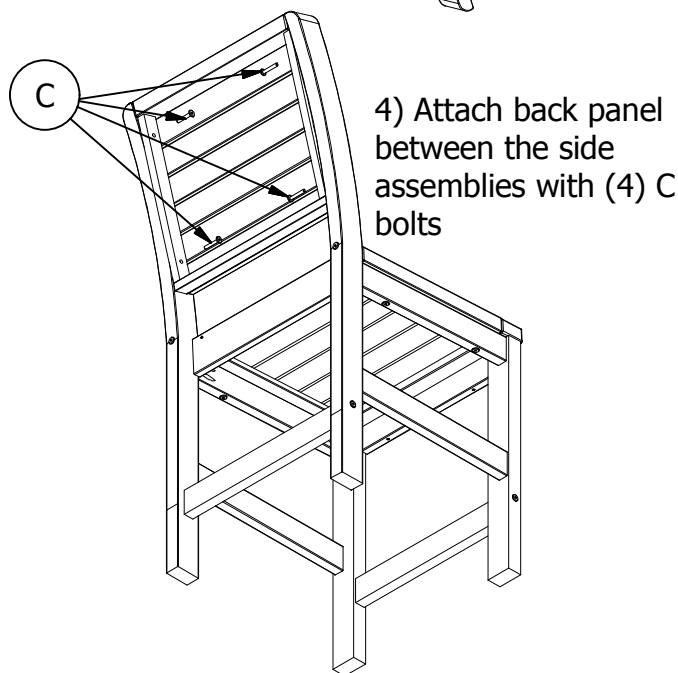
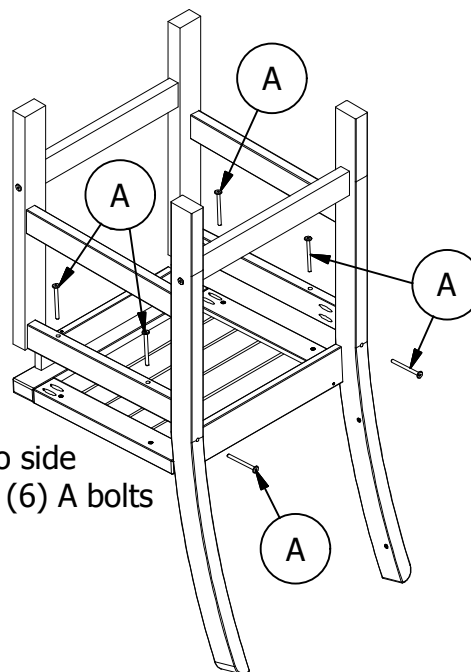
Assembly Guide



1) Attach foot rest between left & right sides with (2) A bolts.

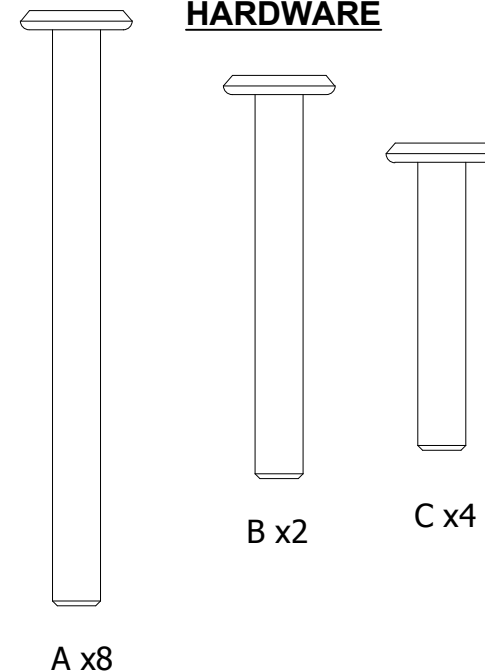
2) Attach rear leg support between left & right sides with (2) B bolts

3) Attach seat to side assemblies with (6) A bolts



4) Attach back panel between the side assemblies with (4) C bolts

HARDWARE



IMPORTANT!

DO NOT fully tighten the bolts until all bolts are started. Once all bolts are inserted, go back & tighten all the bolts.

Retain these instructions for future reference

INCLUDED TOOLS

