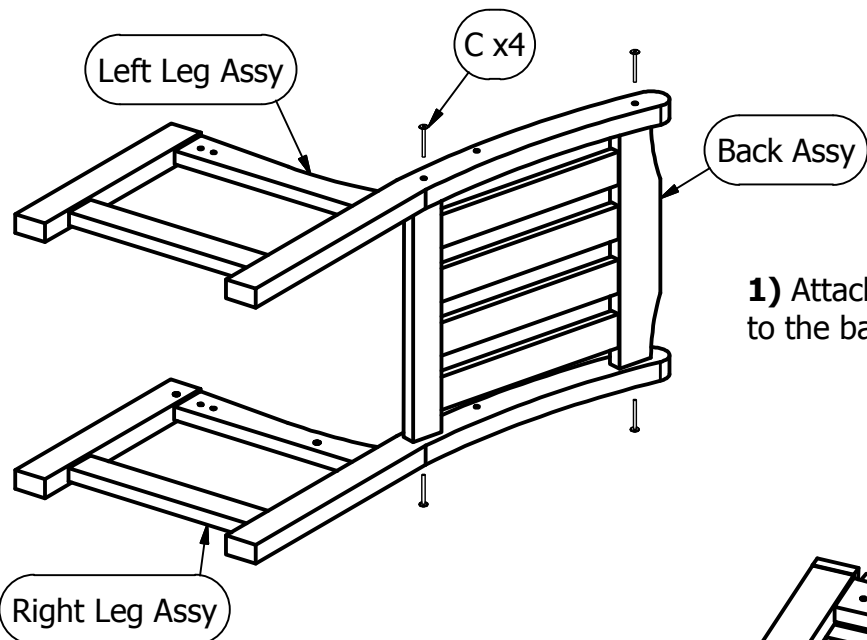
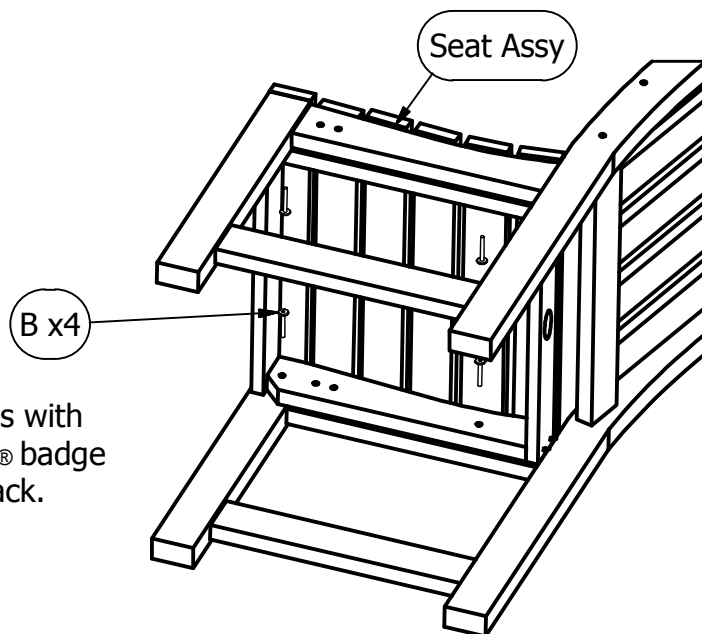


Lehigh Collection Dining Chair with Arms

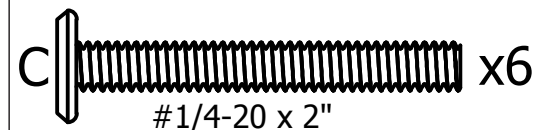
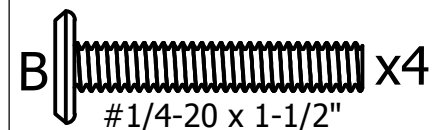
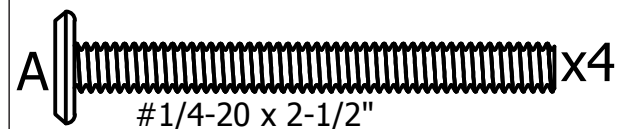
Assembly Guide



2) Attach the seat to the legs with (4) "B" bolts. The Highwood® badge should be visible from the back.



HARDWARE

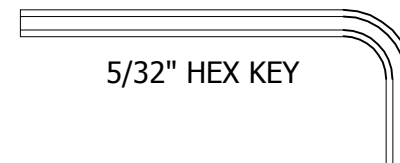


IMPORTANT!

DO NOT fully tighten the bolts until all bolts are started. Once all bolts are inserted, go back & tighten all the bolts.

Retain these instructions for future reference

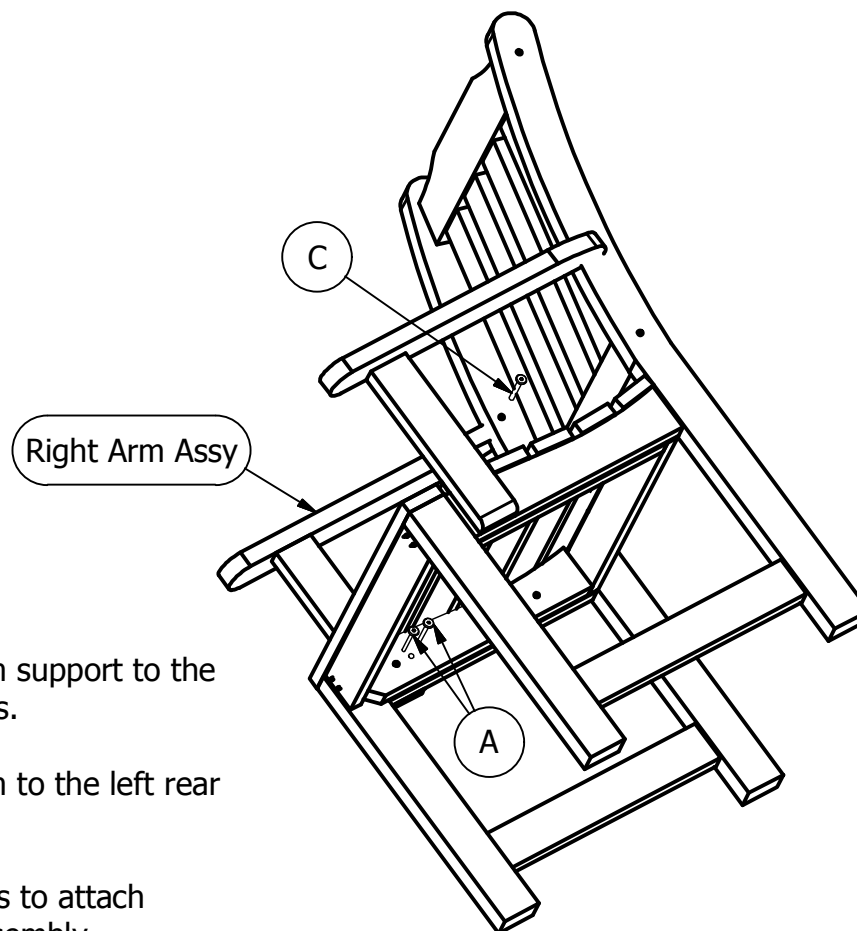
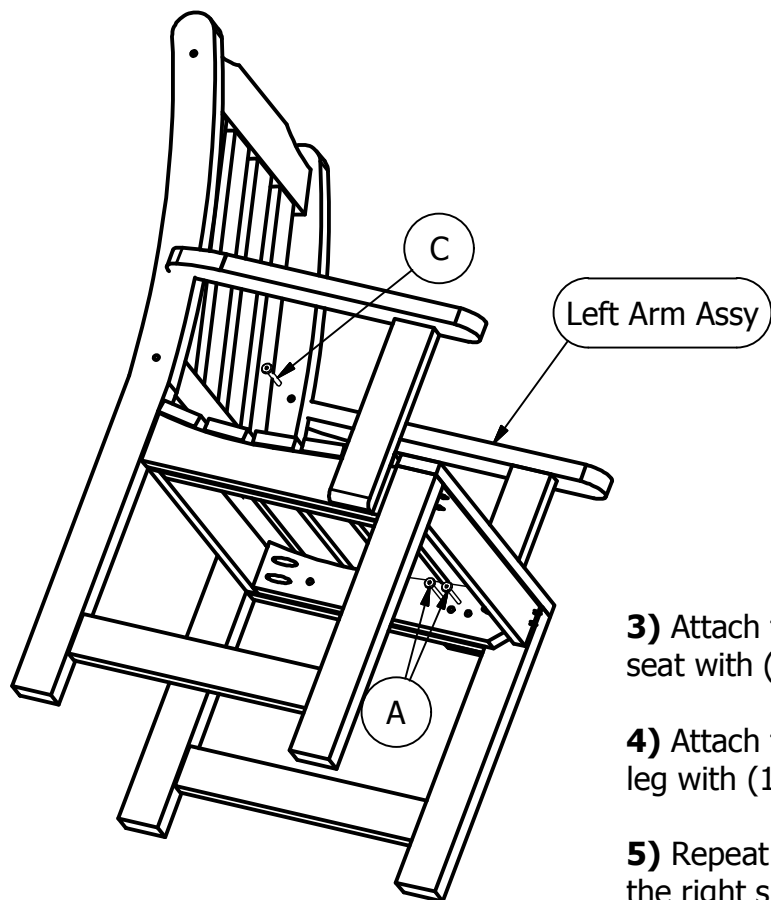
INCLUDED TOOLS



Lehigh Collection

Dining Chair with Arms

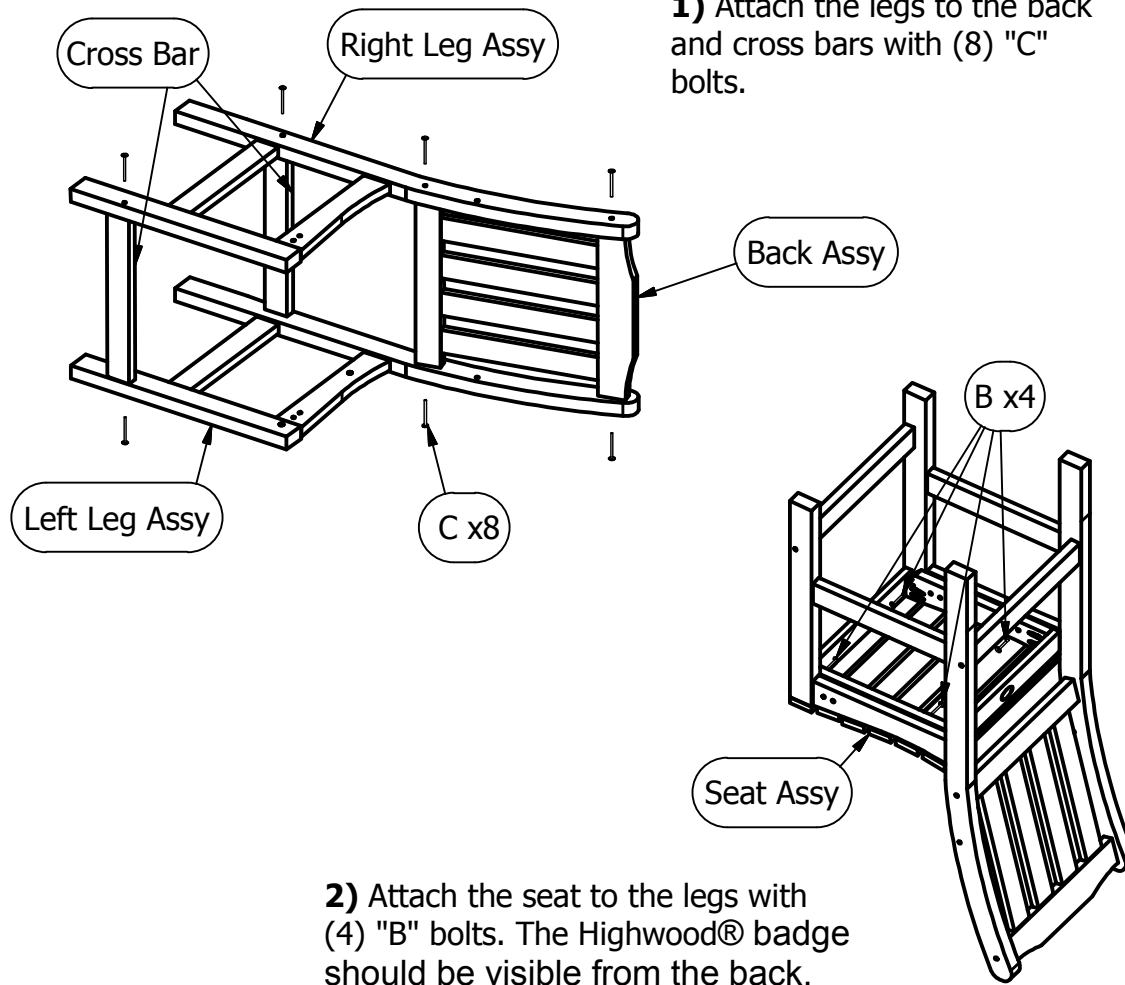
Assembly Guide



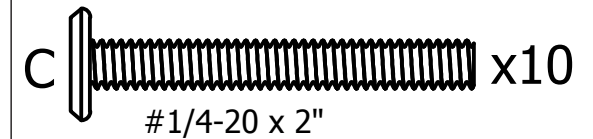
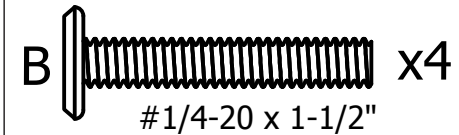
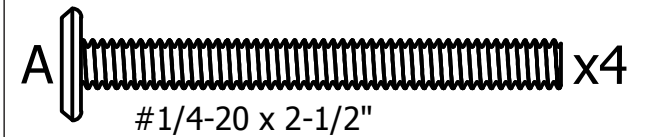
- 3)** Attach the left arm support to the seat with (2) "A" bolts.
- 4)** Attach the left arm to the left rear leg with (1) "C" bolt.
- 5)** Repeat these steps to attach the right side arm assembly.
- 6)** Tighten all bolts.

Lehigh Collection Counter Chair with Arms

Assembly Guide



HARDWARE

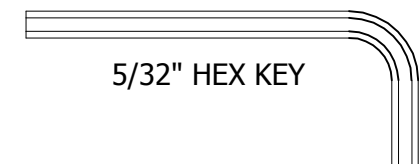


IMPORTANT!

DO NOT fully tighten the bolts until all bolts are started. Once all bolts are inserted, go back & tighten all the bolts.

Retain these instructions for future reference

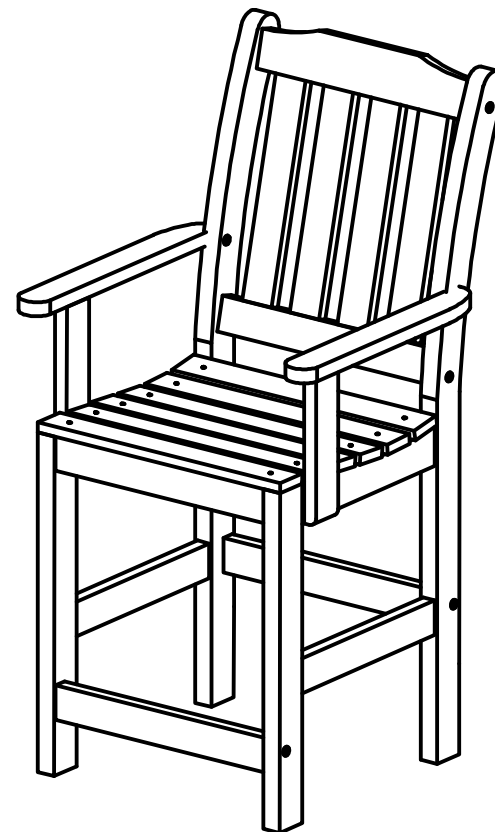
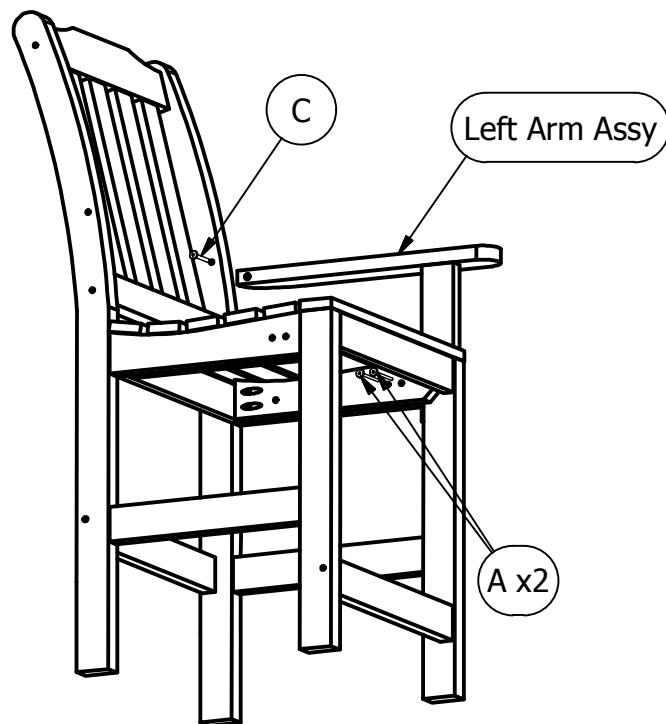
INCLUDED TOOLS



LehighCollection

Counter Chair with Arms

Assembly Guide



- 3) Attach the left arm to the left leg with (1) "C" bolt.
- 4) Attach the left arm support to the seat with (2) "A" bolts.
- 5) Repeat on the other side.
- 6) Tighten all bolts using supplied hex key.