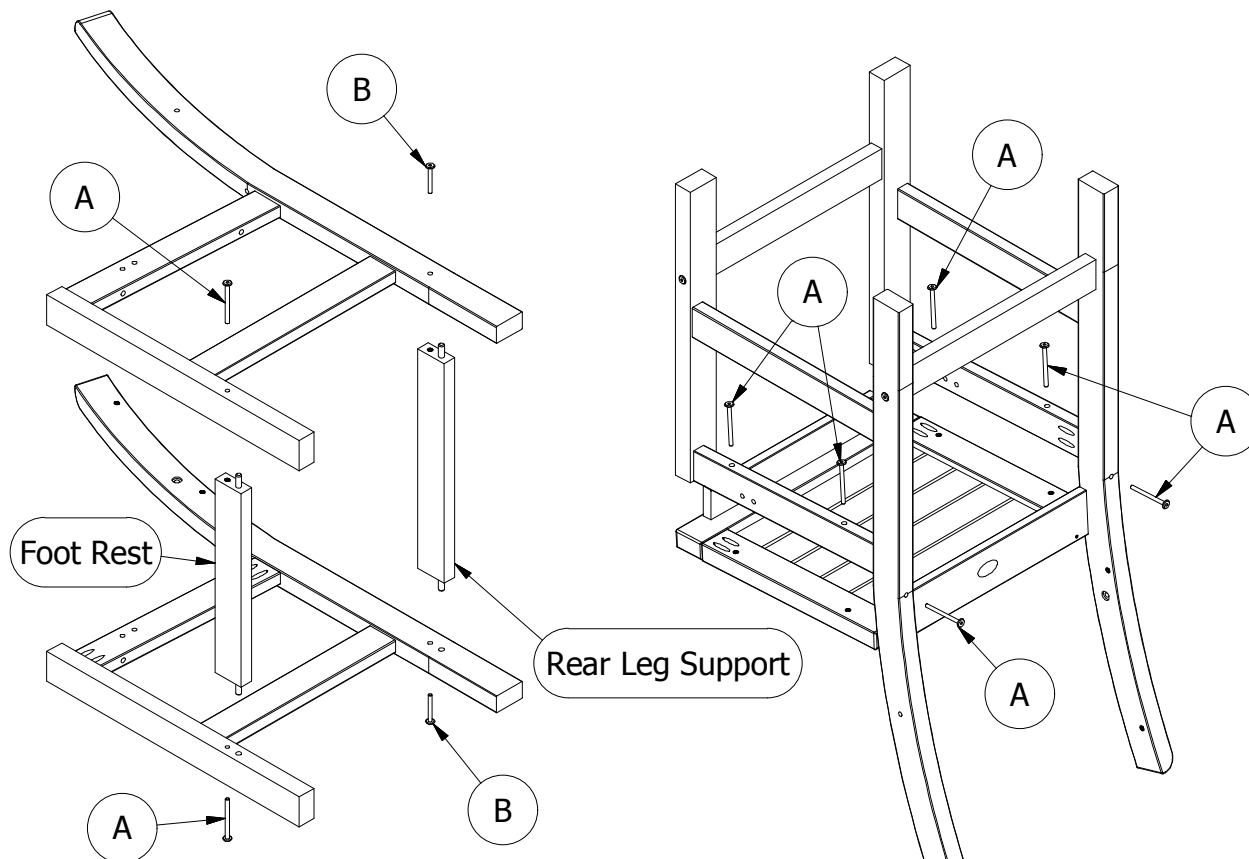


Weatherly Collection Counter Chair with Arms

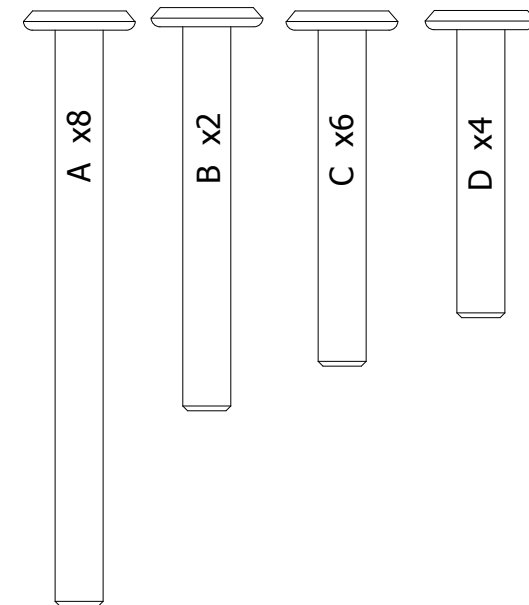
Assembly Guide



1) Install the short foot rest & the rear leg support between left & right sides with (2) A bolts & (2) B bolts

2) Attach seat to left & right side assemblies with (6) A bolts

HARDWARE



IMPORTANT!

DO NOT fully tighten the bolts until all bolts are started. Once all bolts are inserted, go back & tighten all the bolts.

Retain these instructions for future reference

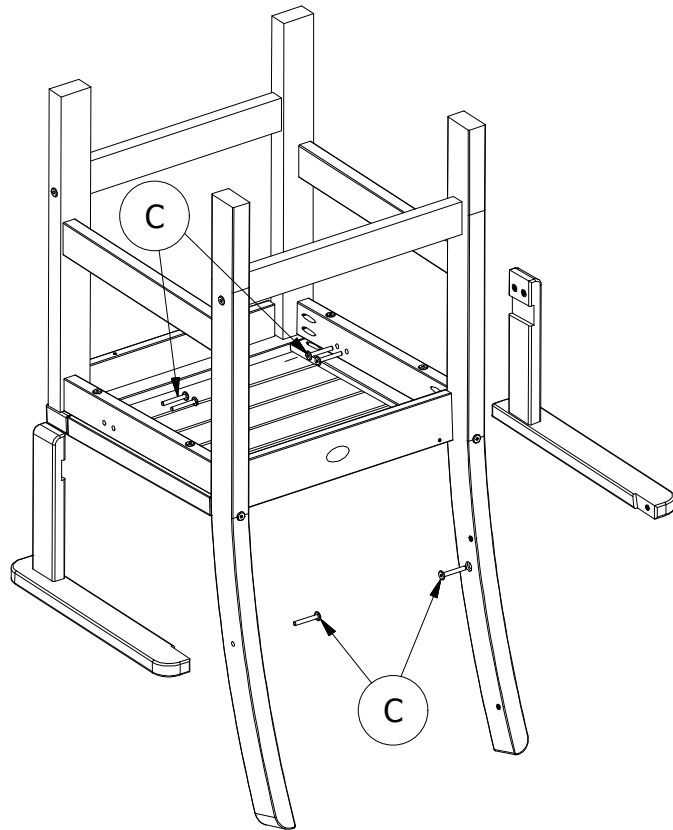
INCLUDED TOOLS



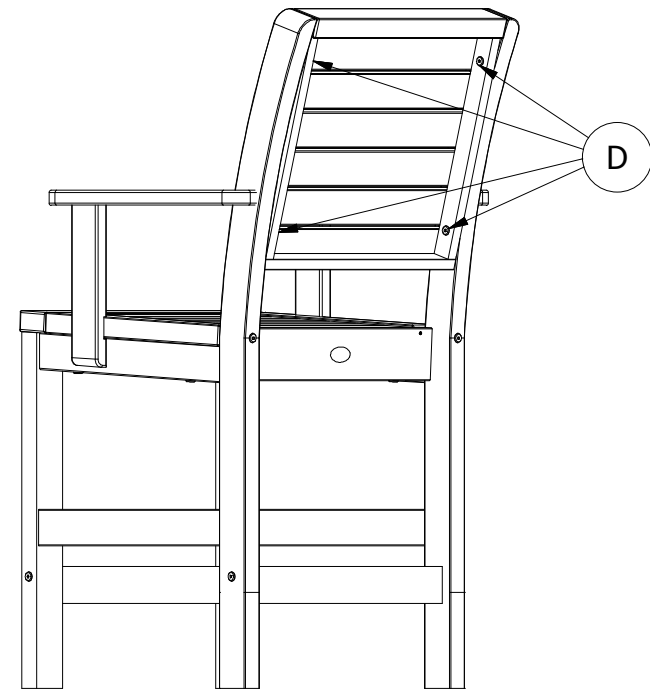
HEX KEY

Weatherly Collection Counter Chair with Arms

Assembly Guide



3) Attach both arm assemblies to left & right sides with (6) C bolts. Fully tighten only the (2) bolts that pass through the rear legs



4) Attach back assembly between left & right rear leg uprights with (4) D bolts