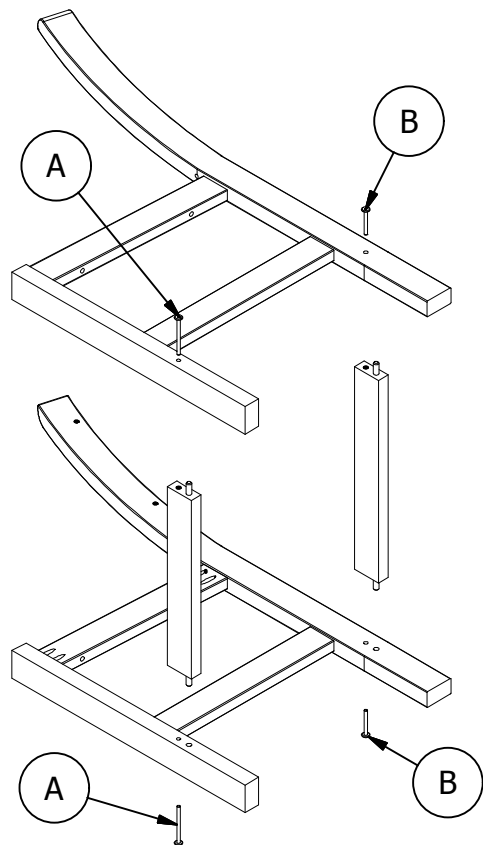


# Weatherly Collection Counter Height Chair

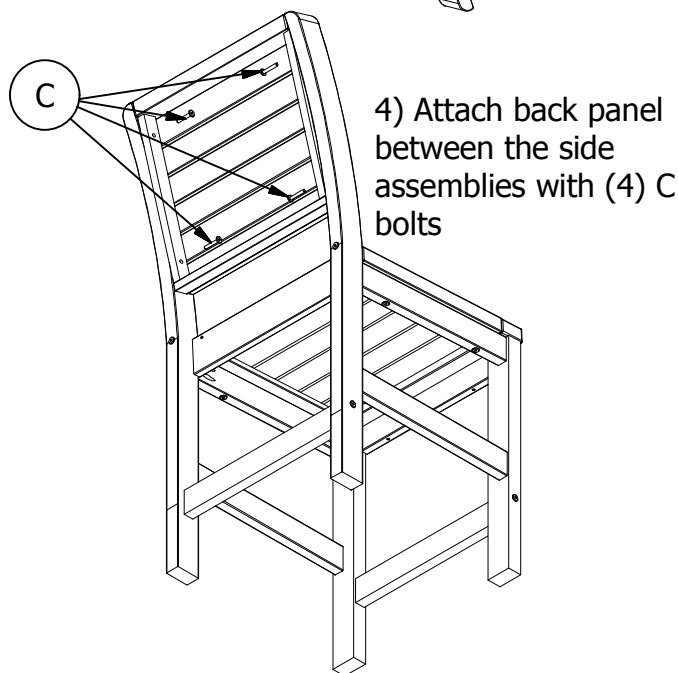
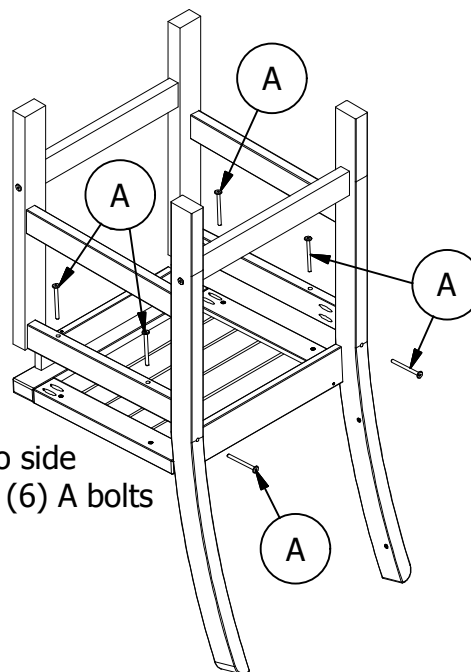
## Assembly Guide



1) Attach foot rest between left & right sides with (2) A bolts.

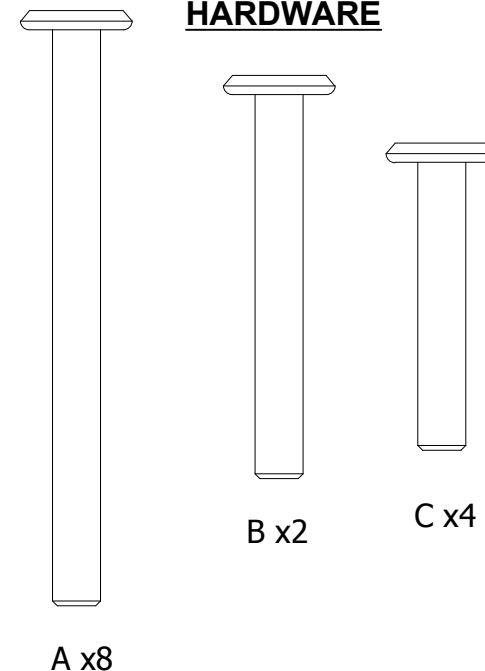
2) Attach rear leg support between left & right sides with (2) B bolts

3) Attach seat to side assemblies with (6) A bolts



4) Attach back panel between the side assemblies with (4) C bolts

### HARDWARE



### IMPORTANT!

DO NOT fully tighten the bolts until all bolts are started. Once all bolts are inserted, go back & tighten all the bolts.

Retain these instructions for future reference

### INCLUDED TOOLS

